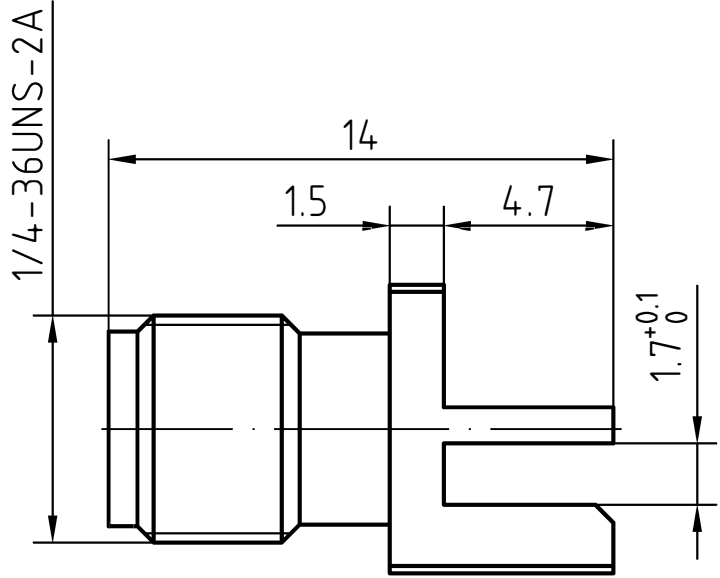
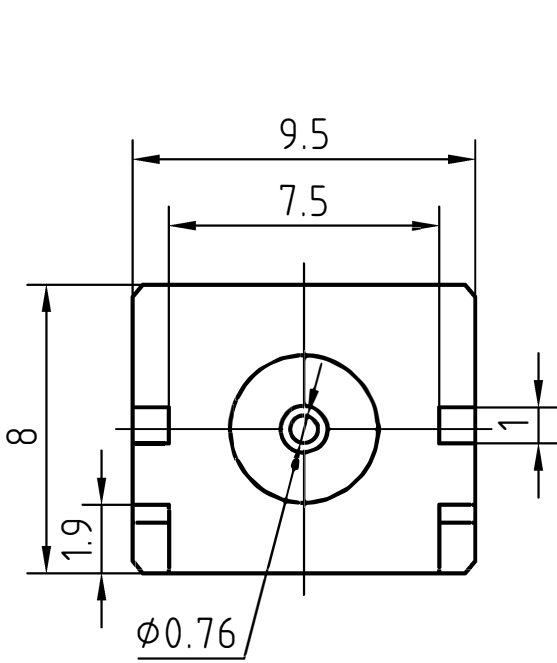


DRAWING

A

B

C



A

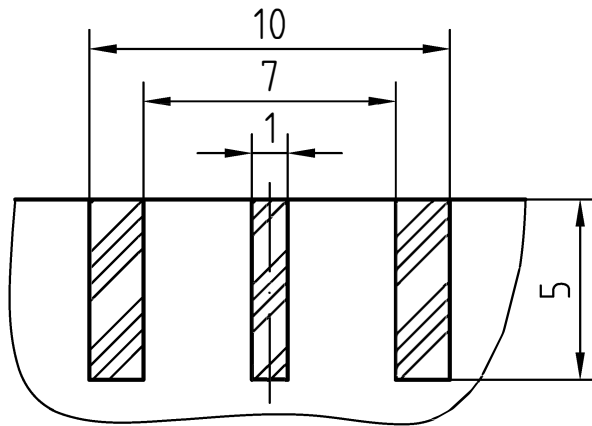
B

C

RECOMMENDED MOUNTING PAD

D

E



D

E

3	1	Body	Brass/Gold plated	Gold 0.2um over Nickel 2.0um
2	1	Insulator	PTFE	
1	1	Center contact	Beryllium copper/Gold plated	Gold 0.5um over Nickel 2.0um
Itemref	Quantity	Title/Name, designation, material, dimension etc		Article No./Reference

F

F

Designed by Mingang Han	Checked by Zhichao Gao	Approved by - date Hongyu Du	File name SMA-KHDC	Date 06.08.12	Scale 5 : 1
Amitron Electronics, Ltd.			SMA-KHDC		
			http://www.amel.ru	Edition 1.0	Sheet 1/1

CHARACTERISTICS

DESCRIPTION: SMA Type female edge mount connector

Electrical data:

<i>Impedance:</i>	<i>50 ohm</i>
<i>Frequency range:</i>	<i>DC to 18 GHz</i>
<i>VSWR:</i>	$\leq 1.04 + 0.02 \times f \text{ [GHz]}$
<i>Insertion loss:</i>	$\leq 0.05 \times \sqrt{f \text{ [GHz]}} \text{ dB}$
<i>Insulation resistance:</i>	$\geq 5000 \text{ M}\Omega$
<i>Test voltage:</i>	<i>1000 V rms</i>
<i>Working voltage:</i>	<i>480 V rms</i>
<i>Contact resistance:</i>	
1). <i>Centre contact:</i>	<i>3.0 mΩ</i>
2). <i>Outer conductor:</i>	<i>2.0 mΩ</i>
<i>Power handling</i> (at 20 °C, sea level, VSWR 1.0):	$\leq 200 \text{ W @ 2 GHz};$
<i>RF-leakage:</i>	$\geq 100 \text{ dB up to 1 GHz}$

- Limitations are possible due to the used cable type -

Environmental data:

<i>Temperature rating:</i>	<i>-65 ° C to +165 ° C</i>
<i>2002/95/EC (RoHS):</i>	<i>Compliant</i>

Mechanical data:

<i>Mating cycles:</i>	≥ 500
<i>Coupling nut retention</i>	$\geq 27 \text{ N}$
<i>Coupling test torque:</i>	$\leq 1.1 \text{ Nm}$
<i>Recommended torque:</i>	<i>0.46 Nm to 0.69 Nm</i>

Suitable cables:

N/A