

## Coaxial Cable Connector: SMP-KWB2

### Description

SMP Right angle cable plug solder type cable .086

### Interface standards

MIL-STD 348-326.1

### Technical Data

#### Electrical Data

Impedance	50Ω
Interface frequency max.	12.4 GHz
VSWR	$1.06+0.02 \times f(\text{GHz})$ max
Voltage rating	335 V(rms)
Test voltage	500 V(rms)
Contact resistance:	
Center conductor	$\leq 6 \text{ m}\Omega$
Out conductor	$\leq 2 \text{ m}\Omega$
Insulation resistance	$\geq 5000 \text{ M}\Omega$

#### Mechanical Data

Weight	0.5 g
Durability	500 Cycles

#### Environmental Data

Operating Temperature	-65 °C to 155 °C
-----------------------	------------------

#### Material Data

##### Piece Parts

Center contact	Beryllium copper
Body	Beryllium copper
Insulator	PTFE

##### Material

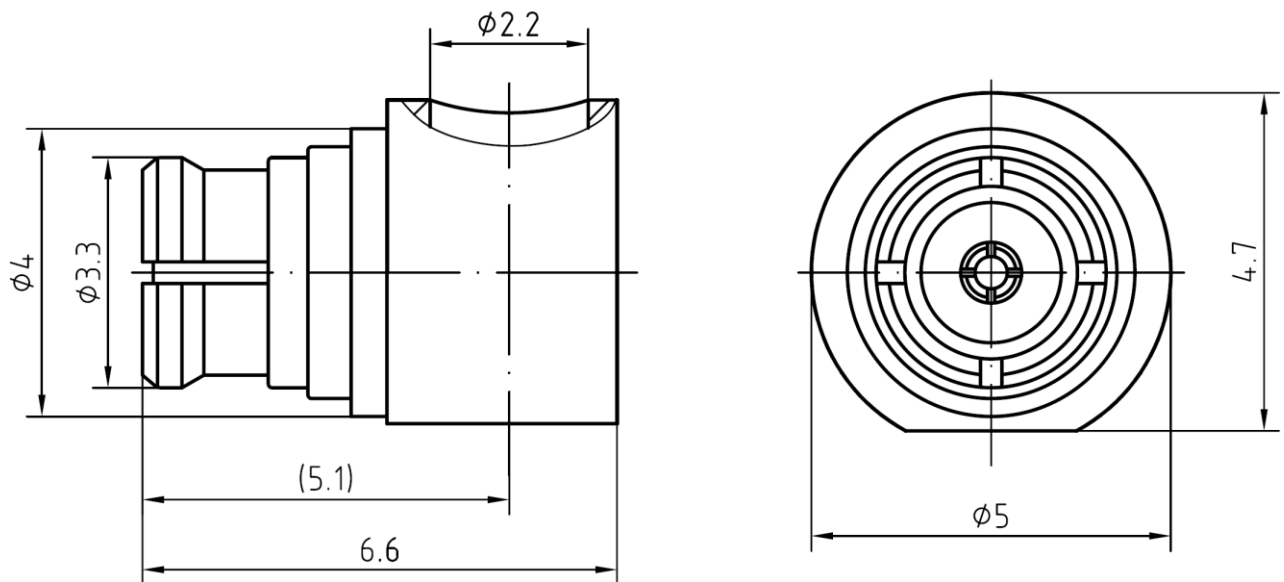
##### Surface Plating( $\mu \text{ m}$ )

Gold 0.5 over Nickel 2.0
Gold 0.3 over Nickel 2.0



## Coaxial Cable Connector: SMP-KWB2

### Outline drawing



### Packaging

Standard

250/Box=25 Bag

Other

Contact us