

# Coaxial Straight Flange Connector: SMA-JFD4

## Description

Straight panel receptacle plug (male), flange mount

## Interface standards

MIL-C-39012

## Technical Data

### Electrical Data

Impedance	50 Ω
Interface frequency max.	18 GHz
VSWR	1.05+0.01 × f(GHz) max
Voltage rating	500 V(rms)
Test voltage	1000 V(rms)
Contact resistance:	
Center conductor	≤3m Ω
Out conductor	≤2m Ω
Insulation resistance	≥5000M Ω

### Mechanical Data

Weight	3.5 g
Durability	500 Cycles

### Environmental Data

Operating Temperature	-65 °C to 165 °C
-----------------------	------------------

### Material Data

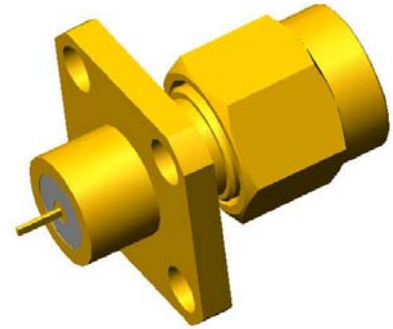
#### Piece Parts

Center contact	Beryllium copper
Body	Brass
Coupling nut	Brass
Gasket	Silicone Rubber
Insulator	PTFE

#### Material

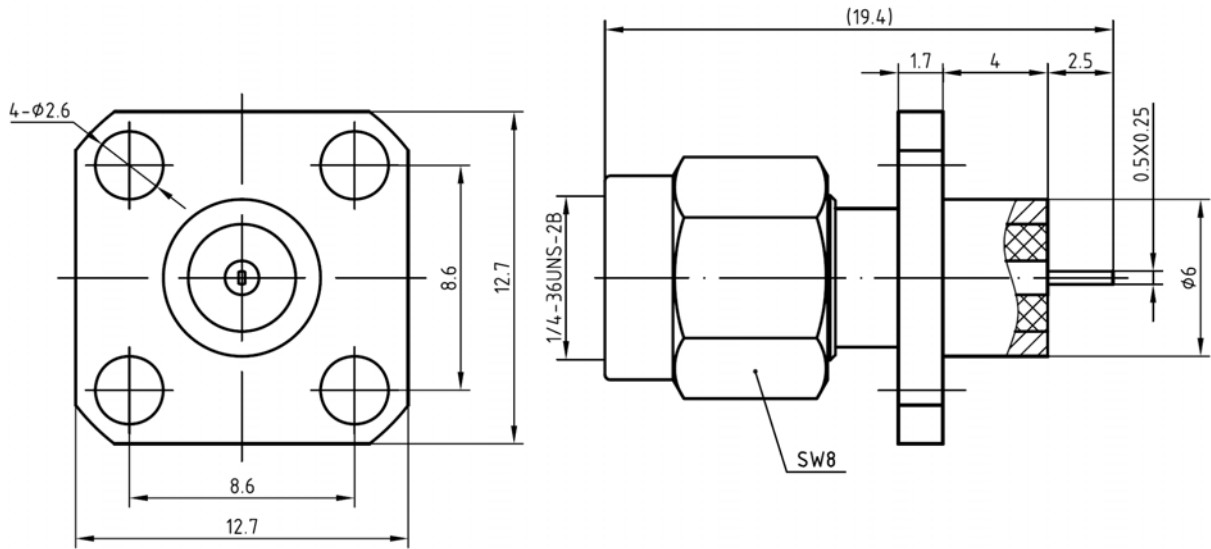
#### Surface Plating( μ m)

Gold 0.5 over Nickel 2.0
Gold 0.2 over Nickel 2.0
Gold 0.2 over Nickel 2.0



# Coaxial Straight Flange Connector: SMA-JFD4

## Outline drawing



## Packaging

Standard

100/Box=10 Bag

Other

Contact us