

# Coaxial Straight Flange Connector: N-KFD122

## Description

Straight panel receptacle jack (female), flange mount

## Interface standards

MIL-C-39012

## Technical Data

### Electrical Data

Impedance	50 $\Omega$
Interface frequency max.	11 GHz
VSWR	1.05+0.025 $\times$ f (GHz) max
Voltage rating	1000 V(rms)
Test voltage	1500 V(rms)
Contact resistance:	
Center conductor	$\leq 1\text{m} \Omega$
Out conductor	$\leq 0.2\text{m} \Omega$
Insulation resistance	$\geq 5000\text{M} \Omega$

### Mechanical Data

Center contact retention	
Axial force – Mating end	27 N mini
Axial force – Opposite end	27 N mini
Torque	2.8 N.cm mini
Weight	18.9 g
Durability	500 Cycles

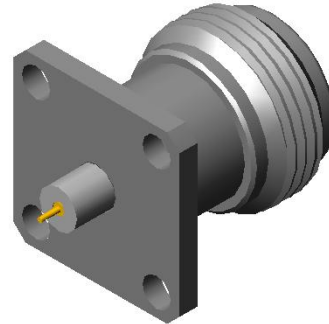
### Environmental Data

Operating Temperature	-65 $^{\circ}\text{C}$ to 165 $^{\circ}\text{C}$
-----------------------	--

### Material Data

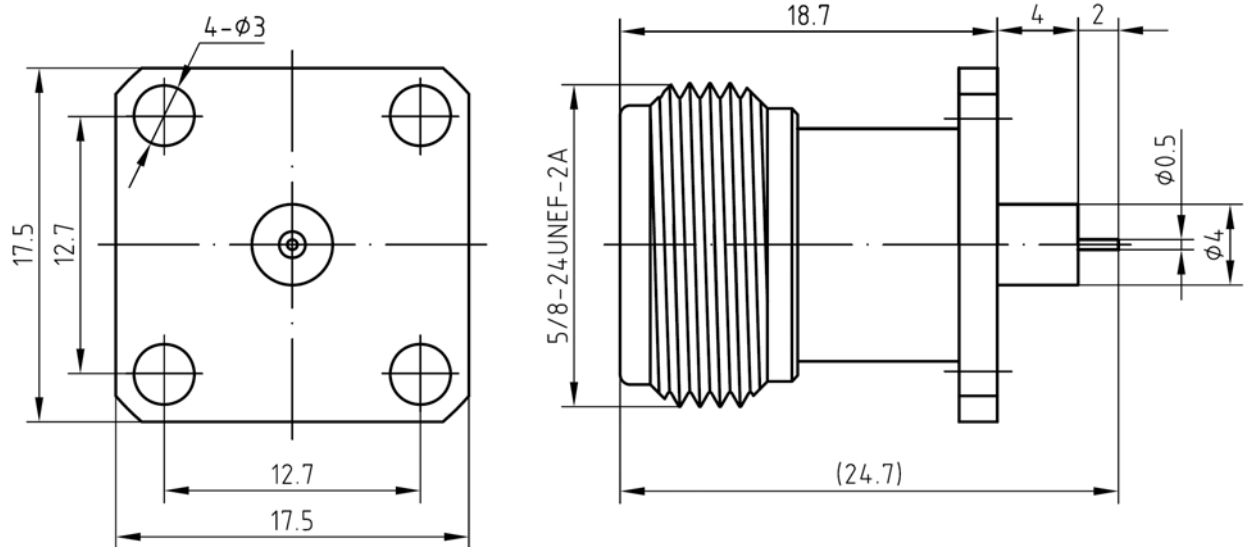
#### Piece Parts

	Material	Surface Plating( $\mu\text{m}$ )
Center contact	Phosphor bronze	Gold 0.5 over Nickel 2.0
Outer contact	Brass	Nickel 7.0 over copper 2.0
Insulator	PTFE	



## Coaxial Straight Flange Connector: N-KFD122

### Outline drawing



### Packaging

Standard

50/Box=5Bag

Other

Contact us