

## Coaxial PressMount Connector: BMA-JPD

### Description

Straight Panel Press-Fit Plug (male) Receptacle

### Interface standards

MIL-C-39012



### Technical Data

#### Electrical Data

Impedance	50 $\Omega$
Interface frequency max.	18 GHz
VSWR	1.05+0.02 $\times$ f(GHz) max
Voltage rating	500 V(rms)
Test voltage	1000 V(rms)
Contact resistance:	
Center conductor	$\leq$ 3m $\Omega$
Out conductor	$\leq$ 2m $\Omega$
Insulation resistance	$\geq$ 5000M $\Omega$

#### Mechanical Data

Weight	1.9 g
Durability	500 Cycles

#### Environmental Data

Operating Temperature	-65 $^{\circ}$ C to 165 $^{\circ}$ C
-----------------------	--------------------------------------

#### Material Data

##### Piece Parts

Body	Brass
Center contact	Brass
Gasket	Silicone Rubber
Insulator	PTFE

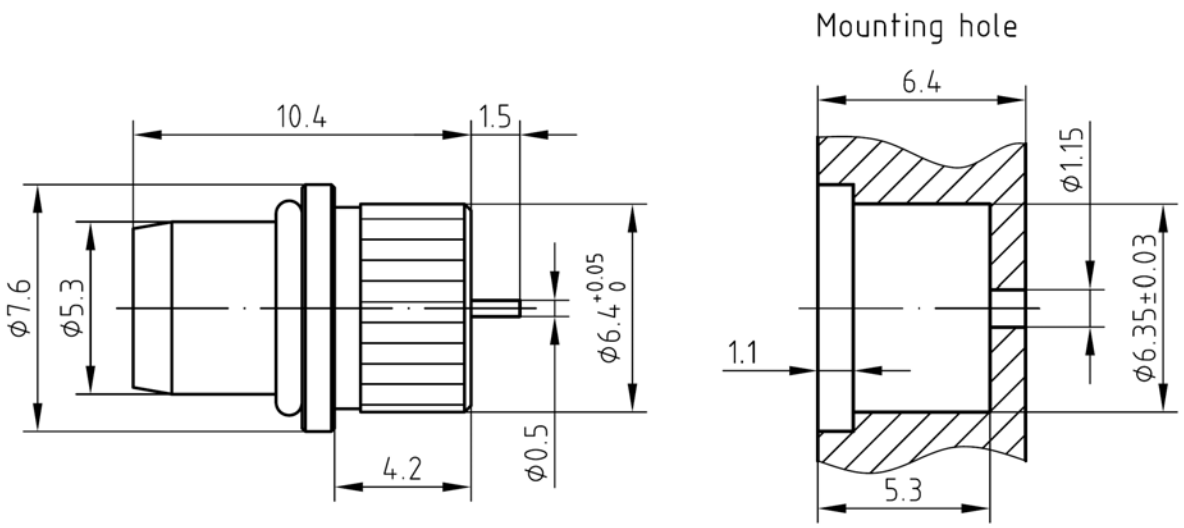
##### Material

##### Surface Plating( $\mu$ m)

Gold 0.2 over Nickel 2.0
Gold 0.5 over Nickel 2.0

# Coaxial PressMount Connector: BMA-JPD

## Outline drawing



## Packaging

Standard                      200/Box=20 Bag  
Other                            Contact us