

Coaxial Cable Connector: SSMB-J2.5DC

Description

SSMB Straight cable jack for Flexible cable 2.5/50D

Interface standards

MIL-C-39012

Technical Data

Electrical Data

Impedance	50 Ω
Interface frequency max.	3 GHz
VSWR	1.08+0.08 \times f(GHz) max
Voltage rating	170 V(rms)
Test voltage	500 V(rms)
Contact resistance:	
Center conductor	\leq 5m Ω
Out conductor	\leq 2.5m Ω
Insulation resistance	\geq 1000M Ω

Mechanical Data

Weight	2.5 g
Durability	500 Cycles

Environmental Data

Operating Temperature	-65 $^{\circ}$ C to 165 $^{\circ}$ C
-----------------------	--------------------------------------

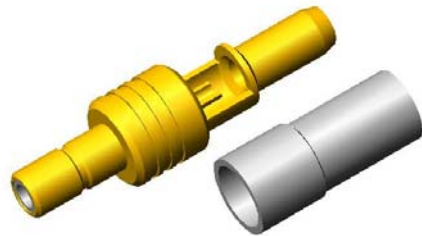
Material Data

Piece Parts

Center contact
Body
Crimp ferrules
Insulator

Material

Brass
Brass
Brass
PTFE

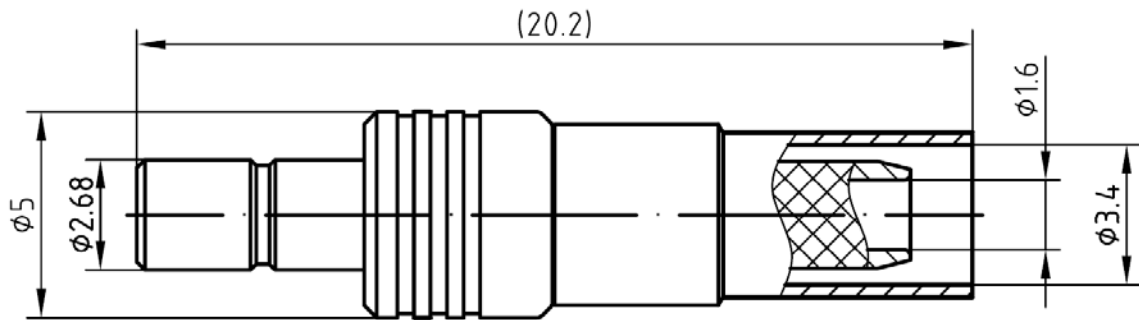


Surface Plating(μ m)

Gold 0.5 over Nickel 2.0
Gold 0.2 over Nickel 2.0
Nickel 7.0 over copper 2.0

Coaxial Cable Connector: SSMB-J2.5DC

Outline drawing



Packaging

Standard

150/Box=15 Bag

Other

Contact us