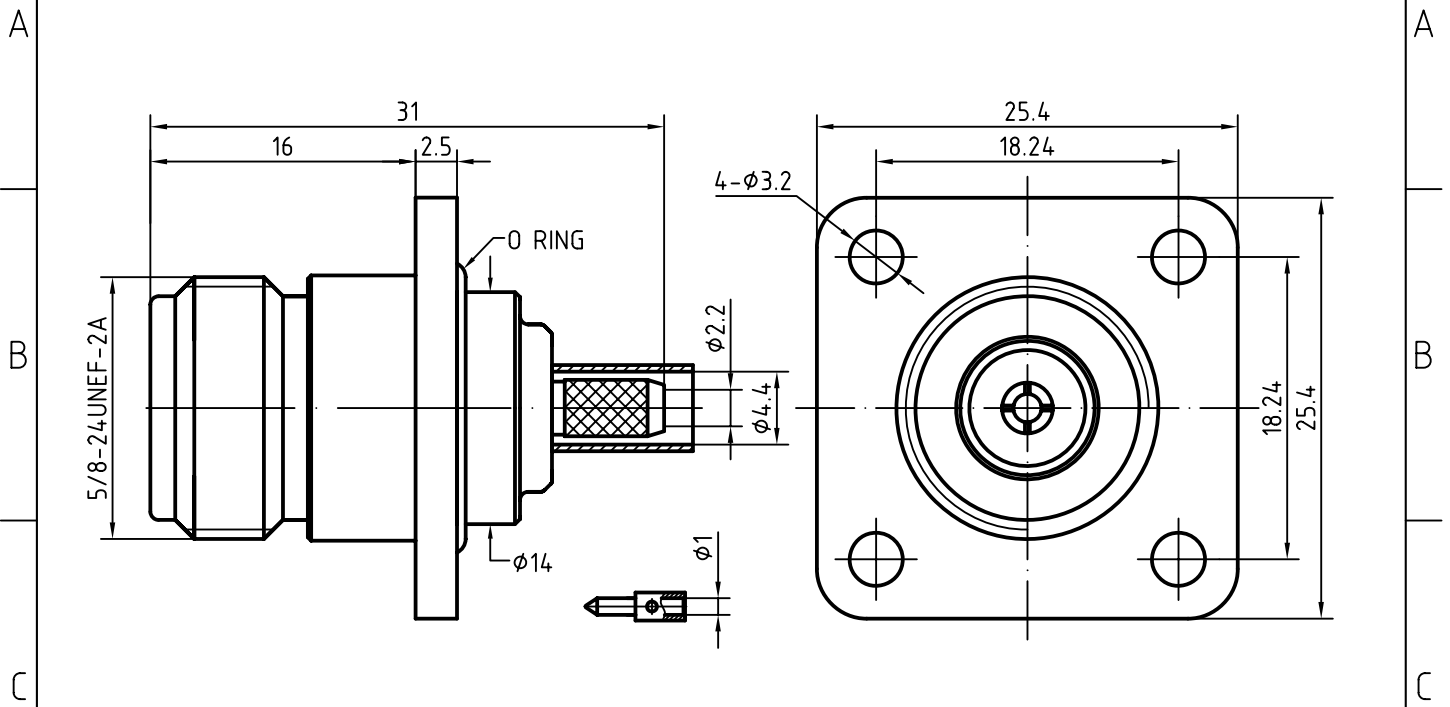
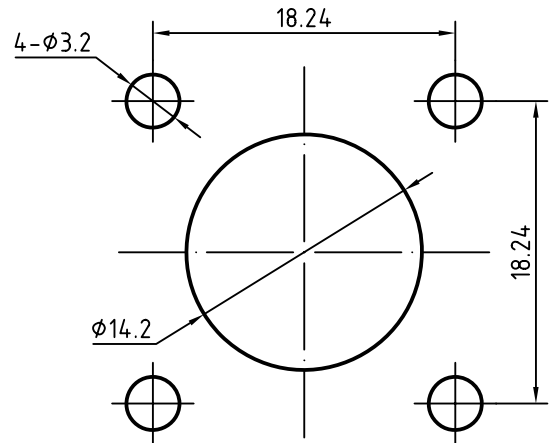
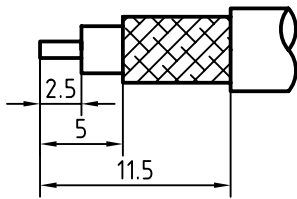


DRAWING



CABLE(SFF50-2-1)

MOUNTING HOLE



3	1	Body	Brass/Nickel plated	Nickel 7.0um over Copper 2.0um
2	1	Insulator	PTFE	
1	1	Center contact	Phosphor bronze/Gold plated	Gold 0.3um over Nickel 2.0um
Itemref	Quantity	Title/Name, designation, material, dimension etc		Article No./Reference

Designed by Mingang Han	Checked by Jinlong GU	Approved by - date Hongyu Du	File name N-KF4YM	Date 10.03.16	Scale 3 : 1
----------------------------	--------------------------	---------------------------------	----------------------	------------------	----------------

Amitron Electronics, Ltd.	N-KF4YM			
	http://www.amel.ru	Edition 1.0	Sheet 1/1	

CHARACTERISTICS

DESCRIPTION: N Type female FL connector

Electrical data:

<i>Impedance:</i>	<i>50 ohm</i>
<i>Frequency range:</i>	<i>DC to 8.0 GHz</i>
<i>VSWR:</i>	$\leq 1.05 + 0.06 \times f[\text{GHz}]$
<i>Insertion loss:</i>	$\leq 0.20 \times \sqrt{f[\text{GHz}]} \text{ dB}$
<i>Insertion loss:</i>	$\leq 0.25 \text{ dB, DC-6GHz}$
<i>Insulation resistance:</i>	$\geq 5000 \text{ M}\Omega$
<i>Test voltage:</i>	<i>2500 V rms</i>
<i>Working voltage:</i>	<i>1400 V rms</i>
<i>Contact resistance:</i>	
1). <i>Centre contact:</i>	<i>1.0 mΩ</i>
2). <i>Outer conductor:</i>	<i>0.25 mΩ</i>

Environmental data:

<i>Temperature rating:</i>	<i>-65 ° C to +165 ° C</i>
<i>52/95/EC (RoHS):</i>	<i>Compliant</i>

Mechanical data:

<i>Mating cycles:</i>	≥ 500
<i>Coupling nut retention:</i>	$\geq 450 \text{ N}$
<i>Coupling test torque:</i>	$\leq 1.7 \text{ Nm}$
<i>Recommended torque:</i>	<i>0.7 Nm to 1.1 Nm</i>

Suitable cables:

SFF50-2-1