

Coaxial Cable Connector: MMCX-J2.5D

Description

MMCX Straight cable plug for Flexible cable RG316DT

Interface standards

MIL-C-39012

Technical Data

Electrical Data

Impedance	50 Ω
Interface frequency max.	4 GHz
VSWR	1.08+0.06 \times f(GHz) max
Voltage rating	170 V(rms)
Test voltage	500 V(rms)
Contact resistance:	
Center conductor	≤ 10 m Ω
Out conductor	≤ 5 m Ω
Insulation resistance	≥ 5000 M Ω

Mechanical Data

Weight	1.2 g
Durability	500 Cycles

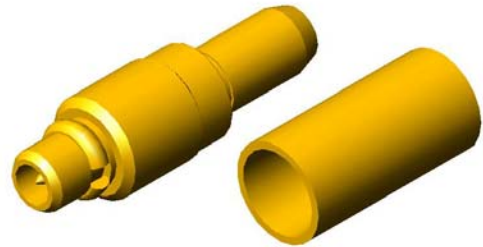
Environmental Data

Operating Temperature	-65 $^{\circ}$ C to 165 $^{\circ}$ C
-----------------------	--------------------------------------

Material Data

Piece Parts

Body	Brass
Center contact	Beryllium copper
Crimp ferrules	Brass
Insulator	PTFE

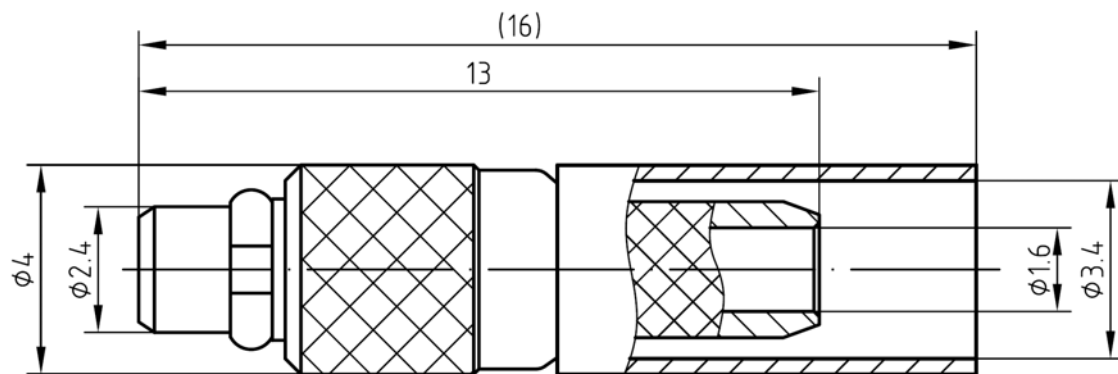


Surface Plating(μ m)

Gold 0.2 over Nickel 2.0
Gold 0.5 over Nickel 2.0
Gold 0.2 over Nickel 2.0

Coaxial Cable Connector: MMCX-J2.5D

Outline drawing



Packaging

Standard

200/Box=20 Bag

Other

Contact us