

DRAWING

A

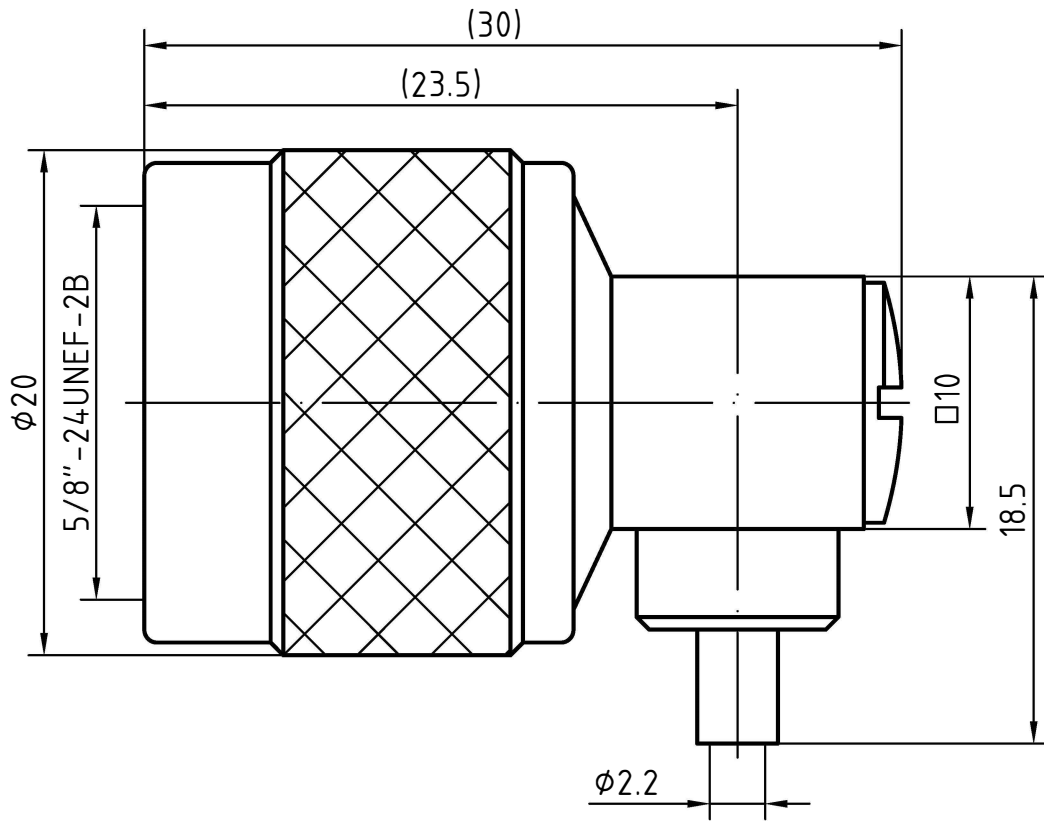
B

C

A

B

C



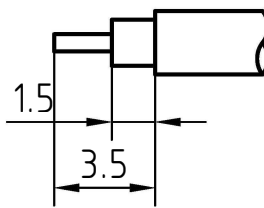
CABLE(UT086,RG405,670-086,UT-0.085)

D

E

D

E



5	1	Gasket	Silicon rubber	
4	1	Coupling nut	Brass/Nickel plated	Nickel 7.0um over Copper 2.0um
3	1	Body	Brass/Nickel plated	Nickel 7.0um over Copper 2.0um
2	1	Insulator	PTFE	
1	1	Center contact	Brass/Gold plated	Gold 0.3um over Nickel 2.0um
Itemref	Quantity	Title/Name, designation, material, dimension etc		Article No./Reference

F

F

Designed by
Mingang Han

Checked by
Jinlong GU

Approved by - date
Hongyu Du

File name
N-JWB2A

Date
16.05.20

Scale
4 : 1

Amitron Electronics, Ltd.

N-JWB2A

<http://www.amel.ru>

Edition
1.0

Sheet
1/1

1

4

CHARACTERISTICS

DESCRIPTION: N Type male R/A connector

Electrical data:

Impedance: 50 ohm
Frequency range: DC to 11 GHz
Return loss: $\geq 25\text{dB}$, DC to 2.5 GHz
 $\geq 20\text{dB}$, 2.5 to 4 GHz
 $\geq 17.2\text{dB}$, 4 to 6 GHz
Insertion loss: $\leq 0.15 \times \sqrt{f[\text{GHz}]} \text{ dB}$
Insulation resistance: $\geq 5000\text{M}\Omega$
Test voltage: 2500 V rms
Working voltage: 1400 V rms
Contact resistance:
1). Centre contact: 1.0 m Ω
2). Outer conductor: 0.25 m Ω
Power handling (at 20 ° C, sea level, VSWR 1.0): 1000 W @ 1 GHz
700 W @ 2 GHz

Environmental data:

Temperature rating: -55 ° C to +155 ° C
2002/95/EC (RoHS): Compliant

Mechanical data:

Mating cycles: ≥ 500
Center contact captivation: $\geq 28\text{N}$ (axial)
Coupling test torque: $\leq 1.7 \text{ Nm}$
Recommended torque: 0.7 Nm to 1.1 Nm

Suitable cables:

UT086, RG405, 670-086, UT-0.085