

DATA SHEET Coaxial 2.92 Series

Adapter: 2.92-JK

Description

Adaptor 2.92 plug (male) / 2.92 jack (female)

Interface standards

MIL-STD-348A/323

Technical Data

Electrical Data

Impedance	50 Ω
Interface frequency max.	40 GHz
VSWR	1.15max @40GHz
Insert loss	$\leq 0.04X \sqrt{f(\text{GHz})}$
RF Leakage	$\leq -100\text{dB}$
Voltage rating	350 V(rms)
Test voltage	750 V(rms)
Contact resistance:	
Center conductor	$\leq 3.0 \text{ m}\Omega$
Out conductor	$\leq 2.0 \text{ m}\Omega$
Insulation resistance	$\geq 5000\text{M}\Omega$

Mechanical Data

Weight	4.9 g
Durability	2000min Cycles

Environmental Data

Operating Temperature	-55 °C to 125 °C
-----------------------	------------------

Material Data

Piece Parts

Center contact	Beryllium copper
Body	Stainless steel
Insulator	PEI (Ultem)

Material

Surface Plating(μm)

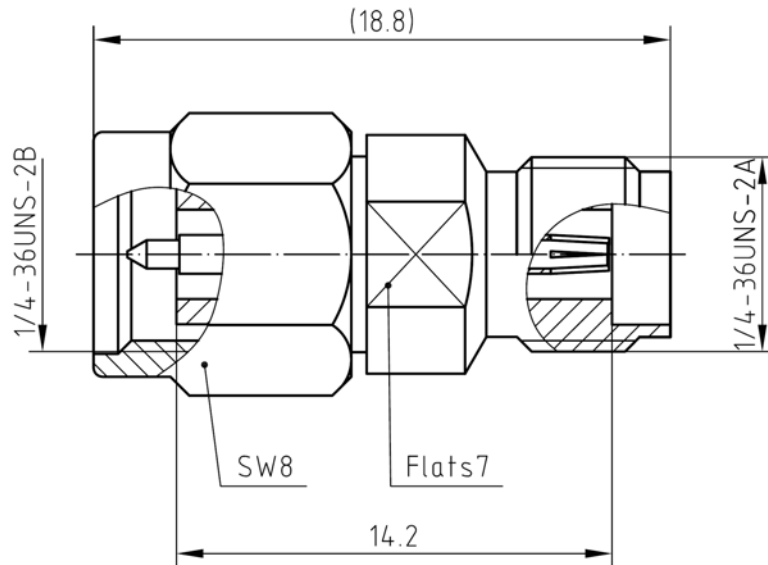
Gold 1.27 over nickle 2.0
Passivated



DATA SHEET Coaxial 2.92

Series Adapter: 2.92-JK

Outline drawing



Packaging

Standard

Other

100/Box=10 Bag

Contact us