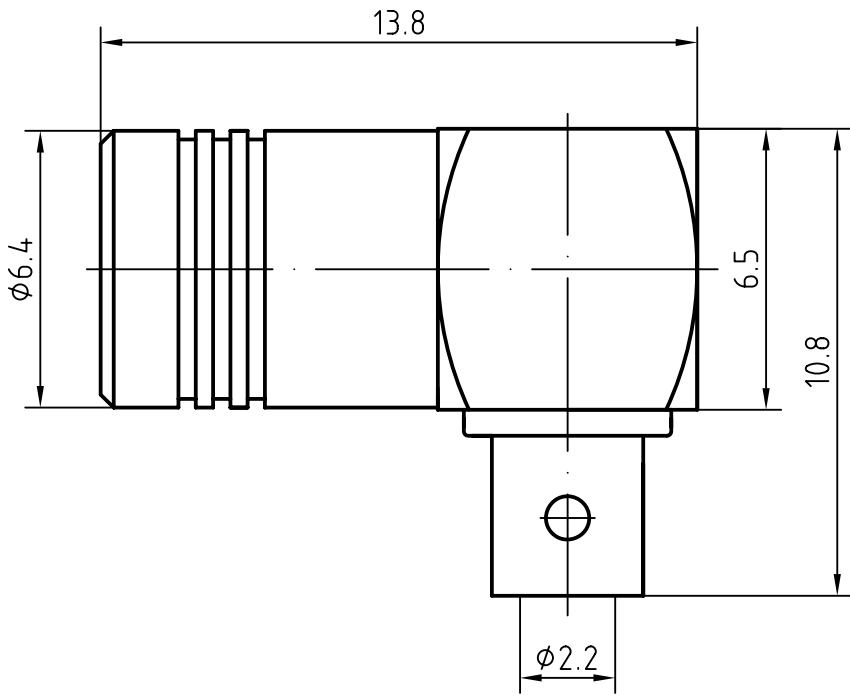
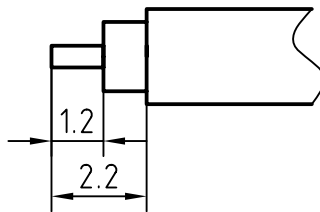


DRAWING



CABLE(UT 086, RG 405)



3	1	Body	Brass/Gold plated	
2	1	Insulator	PTFE	
1	1	Inner pin	Beryllium copper/Gold plated	
Itemref	Quantity	Title/Name, designation, material, dimension etc		Article No./Reference

Designed by Mingang Han	Checked by Jinlong GU	Approved by - date Hongyu Du	File name SMB-KWB2	Date 07.02.08	Scale 8 : 1
----------------------------	--------------------------	---------------------------------	-----------------------	------------------	----------------

Amitron Electronics, Ltd.	SMB-KWB2			
	http://www.amel.ru	Edition 1.0	Sheet 1/1	

CHARACTERISTICS

DESCRIPTION: SMB Type female R/A connector

Electrical data:

<i>Impedance:</i>	<i>50 ohm</i>
<i>Frequency range:</i>	<i>DC to 4 GHz</i>
<i>Return loss:</i>	<i>≥ 25 dB, DC to 1 GHz</i> <i>≥ 17 dB, 1 to 4 GHz</i>
<i>Insertion loss:</i>	<i>≤ 0.1X$\sqrt{f[\text{GHz}]}$ dB, DC-4GHz</i>
<i>Insulation resistance:</i>	<i>≥ 1000MΩ</i>
<i>Test voltage:</i>	<i>750 V rms, 50 Hz, at sea level</i>
<i>Working voltage:</i>	<i>≤ 250 V rms, 50 Hz, at sea level</i>
<i>Contact resistance:</i>	
1). <i>Centre contact:</i>	<i>5.0 mΩ</i>
2). <i>Outer conductor:</i>	<i>2.5 mΩ</i>
<i>RF-leakage :</i>	<i>≥ 55 dB up to 1 GHz</i>

Environmental data:

<i>Temperature rating:</i>	<i>-55 ° C to +155 ° C</i>
<i>2002/95/EC (RoHS):</i>	<i>Compliant</i>

Mechanical data:

<i>Mating cycles:</i>	<i>≥ 500</i>
<i>Center contact captivation:</i>	<i>≥ 10 N(axial)</i>
<i>Engagement force :</i>	<i>≤ 63 N</i>
<i>Disengagement force :</i>	<i>8 N min. to 63 N max.</i>

Suitable cables:

UT 85, RG 405