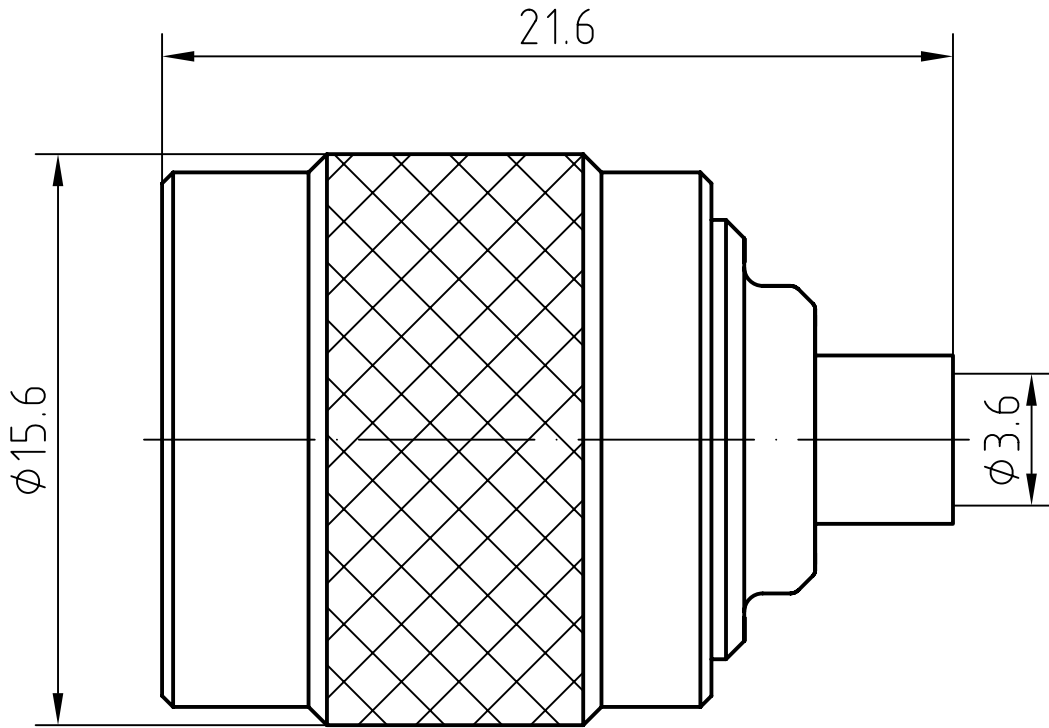
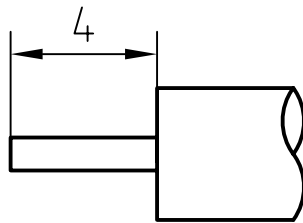


DRAWING



CABLE(UT141,RG402,670-141)



|         |          |  |                     |                            |
|---------|----------|--|---------------------|----------------------------|
| 5       | 1        | O ring   | Silicone rubber     |                            |
| 4       | 1        | Coupling nut                                     | Brass/Nickel plated | Nickel 5um over Copper 2um |
| 3       | 1        | Body   | Brass/Nickel plated | Nickel 5um over Copper 2um |
| 2       | 1        | Insulator  | PTFE                |                            |
| 1       | 1        | Center contact                                   | Brass/Gold plated   | Gold 0.2um over Nickel 2um |
| Itemref | Quantity | Title/Name, designation, material, dimension etc |                     | Article No./Reference      |

|                            |                          |                                 |                      |                  |                |
|----------------------------|--------------------------|---------------------------------|----------------------|------------------|----------------|
| Designed by<br>Mingang Han | Checked by<br>Jinlong GU | Approved by - date<br>Hongyu Du | File name<br>TNC-JB3 | Date<br>07.01.26 | Scale<br>4 : 1 |
|----------------------------|--------------------------|---------------------------------|----------------------|------------------|----------------|

|                           |  |  |   |                |              |
|---------------------------|--|--|---|----------------|--------------|
| Amitron Electronics, Ltd. |  |  | TNC-JB3   |                |              |
|                           |  |  | <a href="http://www.amel.ru">http://www.amel.ru</a> | Edition<br>1.0 | Sheet<br>1/1 |

## CHARACTERISTICS

DESCRIPTION: TNC Type male connector

### Electrical data:

|   |  |
|---|--|
| <i>Impedance:</i>                                       | 50 ohm   |
| <i>Frequency range:</i>                                 | DC to 10 GHz   |
| <i>VSWR:</i>  | $\leq 1.08 + 0.02 \times f \text{ [GHz]}$            |
| <i>Insertion loss:</i>                                  | $\leq 0.08 \times \sqrt{f \text{ [GHz]}} \text{ dB}$ |
| <i>Insulation resistance:</i>                           | $\geq 5000 \text{ M}\Omega$                          |
| <i>Test voltage:</i>                                    | 1500 V rms   |
| <i>Working voltage:</i>                                 | 500 V rms  |
| <i>Contact resistance:</i>                              |  |
| 1). Centre contact:                                     | 1.5 m $\Omega$                                       |
| 2). Outer conductor:                                    | 1.0 m $\Omega$                                       |
| <i>Power handling (at 20 ° C, sea level, VSWR 1.0):</i> | $\leq 80 \text{ W @ 2 GHz}$                          |

### Environmental data:

|                            |                     |
|----------------------------|---------------------|
| <i>Temperature rating:</i> | -65 ° C to +165 ° C |
| <i>2002/95/EC (RoHS):</i>  | Compliant           |

### Mechanical data:

|                                    |                            |
|------------------------------------|----------------------------|
| <i>Mating cycles:</i>              | $\geq 500$                 |
| <i>Center contact captivation:</i> | $\geq 15 \text{ N(axial)}$ |
| <i>Coupling test torque:</i>       | $\leq 1.7 \text{ Nm}$      |
| <i>Recommended torque:</i>         | 0.46 Nm to 0.69 Nm         |

### Suitable cables:

UT141, RG402, 670-141