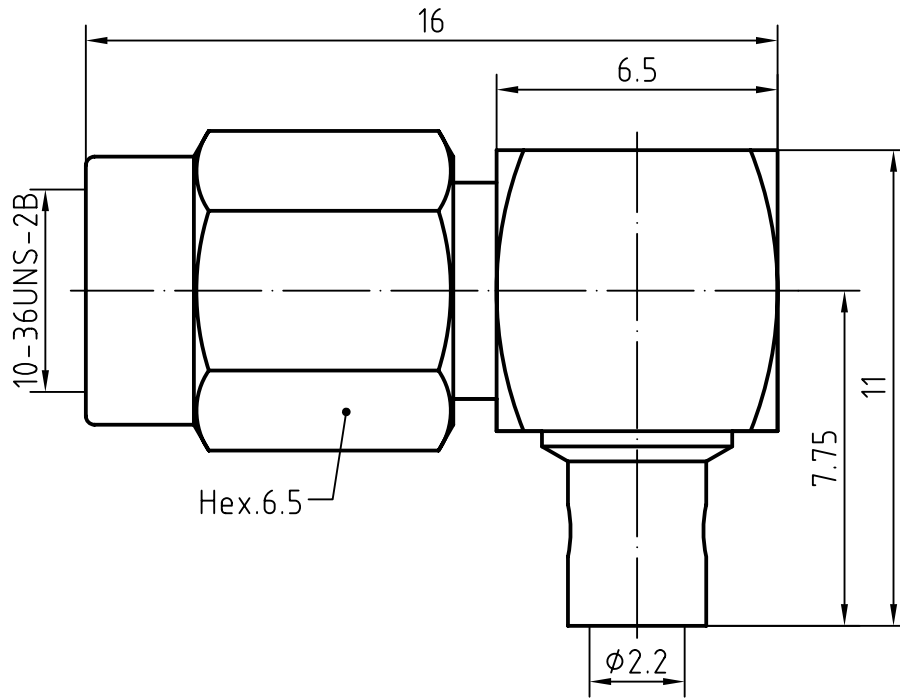
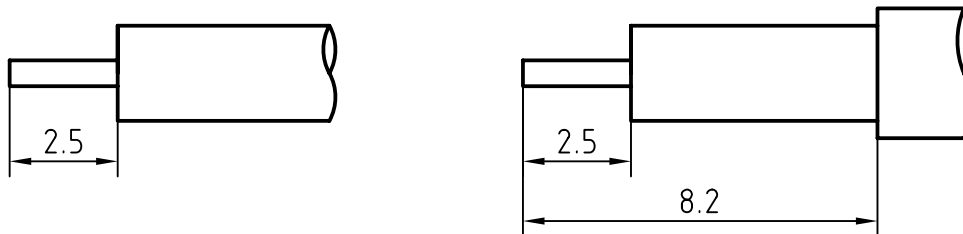


DRAWING



CABLE(UT086, RG405)



With jacket



5	1	Coupling nut	Brass/Gold plated	Gold 0.3um over Nickel 2um
4	1	O-ring	Silicone rubber	
3	1	Body	Brass/Gold plated	Gold 0.3um over Nickel 2um
2	1	Insulator	PTFE	
1	1	Center contact	Brass/Gold plated	Gold 0.5um over Nickel 2um
Itemref	Quantity	Title/Name, designation, material, dimension etc		Article No./Reference

Designed by Mingang Han	Checked by Jinlong GU	Approved by - date Hongyu Du	File name SSMA-JWB2	Date 08.09.23	Scale 1:1
----------------------------	--------------------------	---------------------------------	------------------------	------------------	--------------

Amitron Electronics, Ltd.	SSMA-JWB2		
	<a href="http://www.amel.ru">http://www.amel.ru</a>	Edition 1.0	Sheet 1/1

## CHARACTERISTICS

DESCRIPTION: SSMA Type male R/A connector

### Electrical data:

<i>Impedance:</i>	<i>50 ohm</i>
<i>Frequency range:</i>	<i>DC to 18 GHz</i>
<i>VSWR:</i>	$\leq 1.04 + 0.03Xf[\text{GHz}]$
<i>Insertion loss:</i>	$\leq 0.06X \sqrt{f[\text{GHz}]} \text{ dB}$
<i>Insulation resistance:</i>	$\geq 1000M\Omega$
<i>Test voltage:</i>	<i>750 V rms</i>
<i>Working voltage:</i>	<i>350 V rms</i>
<i>Contact resistance:</i>	
1). <i>Centre contact:</i>	<i>3.0 mΩ</i>
2). <i>Outer conductor:</i>	<i>2.5 mΩ</i>

### Environmental data:

<i>Temperature rating:</i>	<i>-65 ° C to 165 ° C</i>
<i>2002/95/EC (RoHS):</i>	<i>Compliant</i>

### Mechanical data:

<i>Mating cycles:</i>	$\geq 500$
<i>Coupling test torque:</i>	$\leq 1.7 \text{ Nm}$
<i>Recommended torque:</i>	<i>0.46 Nm to 0.69 Nm</i>

### Suitable cables:

*UT086, RG405*