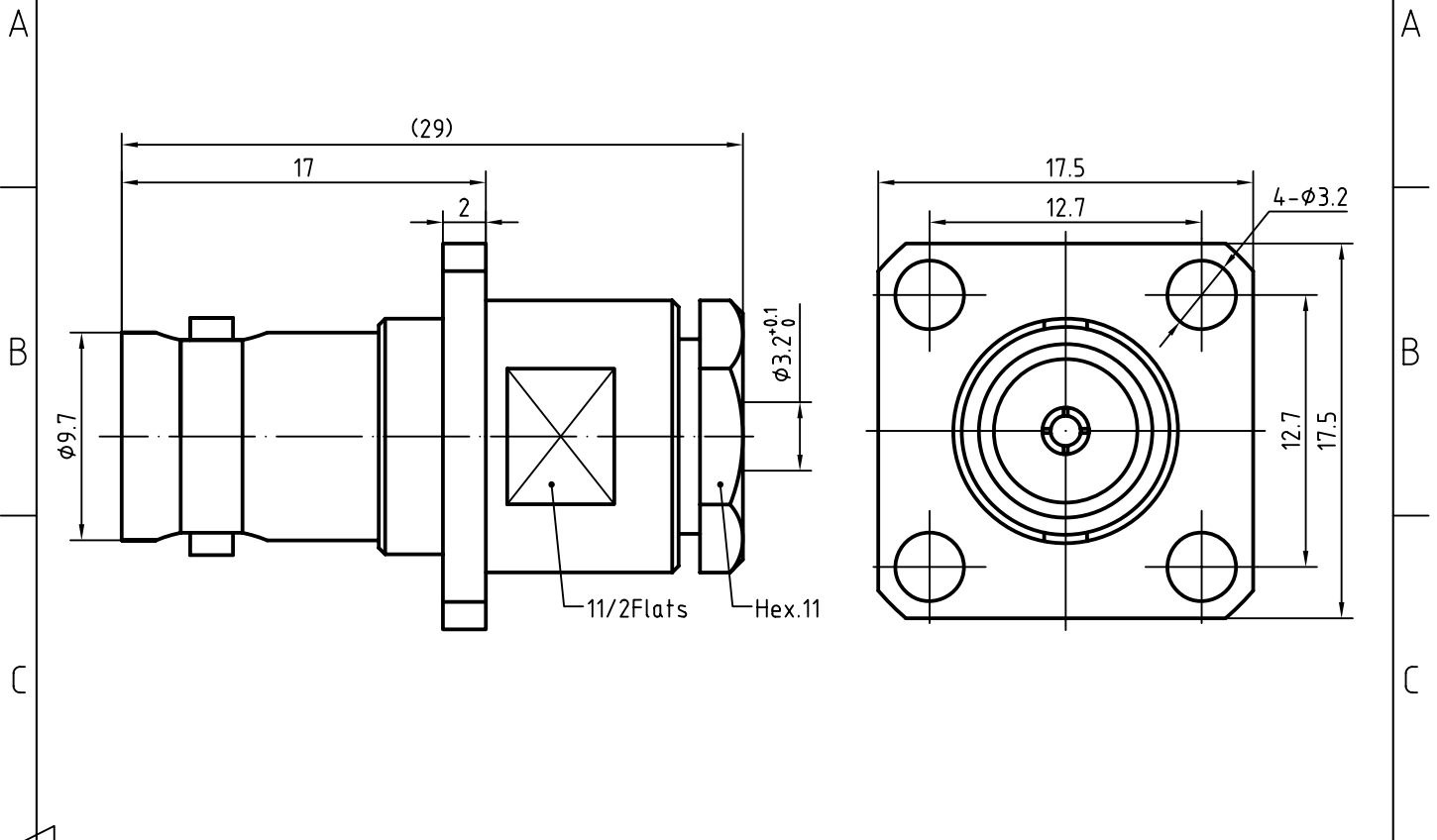
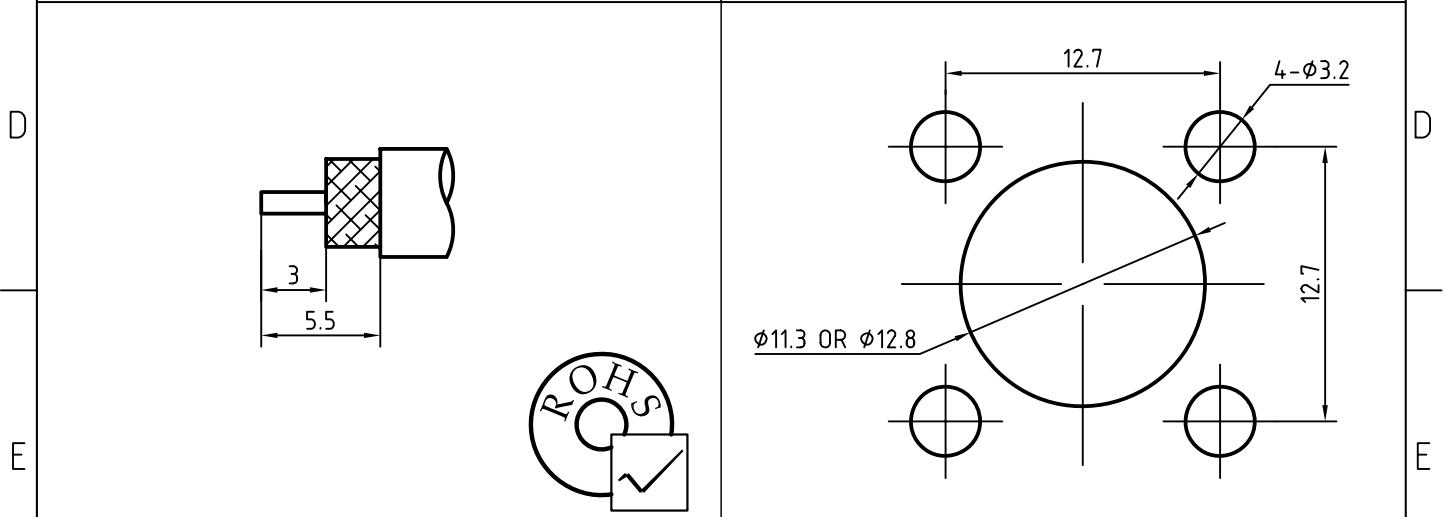


DRAWING



CABLE(RG174A/U, RG188A/U, RG316/U)

MOUNTING HOLE



4	1	O ring	Silicone rubber	
3	1	Body	Brass/Neckel plated	Nickel 5um over Copper 2um
2	1	Insulator	PTFE	
1	1	Centor contactor	Phosphor bronze/Gold plated	Gold 0.2um over Nickel 2um
Itemref	Quantity	Title/Name, designation, material, dimension etc		Article No./Reference

Designed by Mingang Han	Checked by Jinlong GU	Approved by - date Hongyu Du	File name BNC-KF3	Date 08.03.12	Scale 3 : 1
----------------------------	--------------------------	---------------------------------	----------------------	------------------	----------------

Amitron Electronics, Ltd.	BNC-KF3		
	http://www.amel.ru	Edition 1.0	Sheet 1/1

CHARACTERISTICS

DESCRIPTION: BNC Type female FL connector

Electrical characteristics:

<i>Impedance:</i>	50 ohm
<i>Frequency range:</i>	DC to 4 GHz
<i>VSWR:</i>	$\leq 1.08 + 0.05Xf[\text{GHz}]$
<i>Insertion loss:</i>	$\leq 0.08 X \sqrt{f} [\text{GHz}] \text{ dB}$
<i>Insulation resistance:</i>	$\geq 5000M\Omega$
<i>Test voltage:</i>	1500 V rms
<i>Working voltage:</i>	400 V rms
<i>Contact resistance:</i>	
1). <i>Centre contact:</i>	1.5 m Ω
2). <i>Outer conductor:</i>	1.0 m Ω
<i>Power handling (at 20 °C, sea level, VSWR 1.0):</i>	80 W @ 2 GHz

Environmental data:

<i>Temperature rating:</i>	-55 ° C to +165 ° C
<i>52/95/EC (RoHS):</i>	Compliant

Mechanical data:

<i>Mating cycles:</i>	≥ 500
<i>Center contact captivation:</i>	$\geq 15 \text{ N(axial)}$

Suitable cables:

RG174A/U, RG188A/U, RG316/U