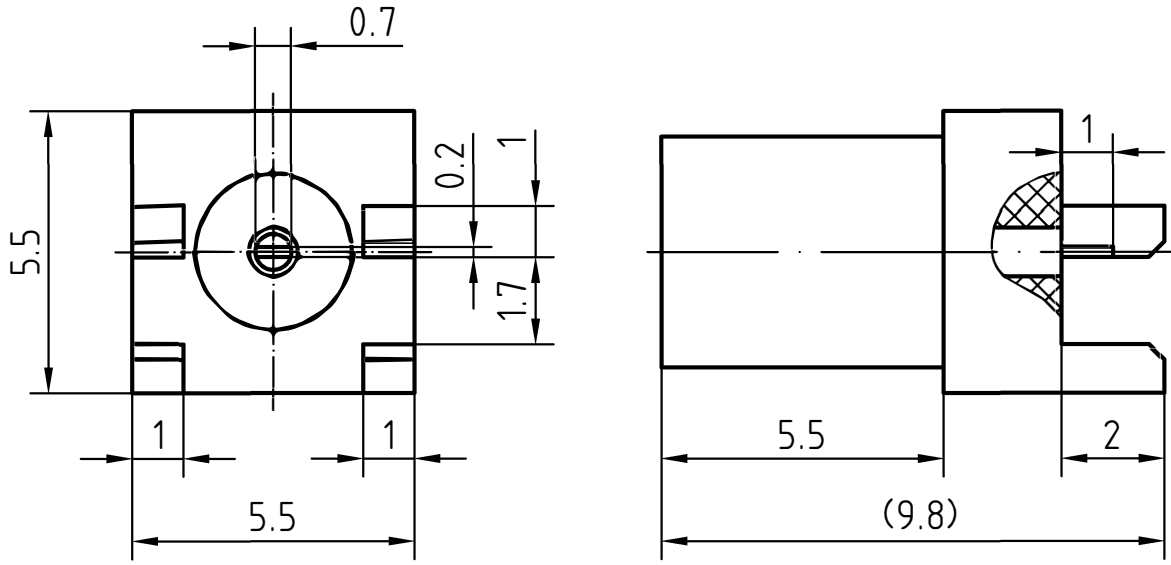
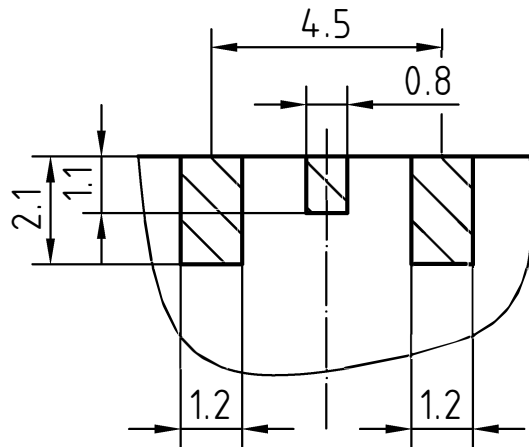


DRAWING



Commended PCB layout



3	1	Body	Brass/Gold plated	Gold 0.2um over Nickel 2.0um
2	1	Insulator	PTFE	
1	1	Center contact	Beryllium copper/Gold plated	Gold 0.5um over Nickel 2.0um
Itemref	Quantity	Title/Name, designation, material, dimension etc		Article No./Reference

Designed by Mingang Han	Checked by Jinlong Gu	Approved by - date Hongyu Du	File name MCX-KHDC3	Date 16.01.12	Scale 6 : 1
----------------------------	--------------------------	---------------------------------	------------------------	------------------	----------------

Amitron Electronics, Ltd.			MCX-KHDC3		
			http://www.amel.ru	Edition 1.0	Sheet 1/1

CHARACTERISTICS

DESCRIPTION: MCX Type female edge mount connector

Electrical data:

<i>Impedance:</i>	<i>50 ohm</i>
<i>Frequency range:</i>	<i>DC to 6.0 GHz</i>
<i>VSWR:</i>	$\leq 1.05 + 0.05 \times f[\text{GHz}]$
<i>Insertion loss:</i>	$\leq 0.10 \times \sqrt{f} [\text{GHz}] \text{ dB}$
<i>Insulation resistance:</i>	$\geq 1000\text{M}\Omega$
<i>Test voltage:</i>	<i>750 V rms</i>
<i>Working voltage:</i>	<i>335 V rms</i>
<i>Contact resistance:</i>	
1). <i>Centre contact:</i>	<i>5.0 mΩ</i>
2). <i>Outer conductor:</i>	<i>2.5 mΩ</i>

Environmental data:

<i>Temperature rating:</i>	<i>-55 ° C to +165 ° C</i>
<i>2002/95/EC (RoHS):</i>	<i>Compliant</i>

Mechanical data:

<i>Mating cycles:</i>	≥ 500
<i>Engagement force:</i>	$\leq 25\text{N}$
<i>Unengagement force:</i>	$\geq 8\text{N}$
<i>Contact captivation:</i>	$\geq 10\text{N}$

Suitable cables:

N/A