

Coaxial Cable Connector: N-KY7DY

Description

Straight Bulkhead Jack for flexible cable 7/50D

Interface standards

MIL-C-39012

Technical Data

Electrical Data

Impedance	50 Ω
Interface frequency max.	8 GHz
VSWR	$1.05+0.06 \times f$ (GHz) max
Voltage rating	1000 V(rms)
Test voltage	1500 V(rms)
Contact resistance:	
Center conductor	$\leq 1.0\text{m } \Omega$
Out conductor	$\leq 0.2\text{m } \Omega$
Insulation resistance	$\geq 5000\text{M } \Omega$

Mechanical Data

Weight	40 g
Durability	500 Cycles

Environmental Data

Operating Temperature	-65 °C to 165 °C
-----------------------	------------------

Material Data

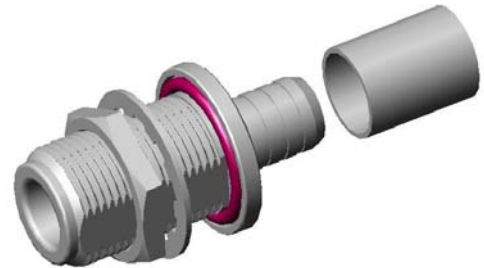
Piece Parts

Center contact	Phosphor Bronze
Body	Brass
Gasket	Silicone Rubber
Insulator	PTFE
Other pieces	Brass

Material

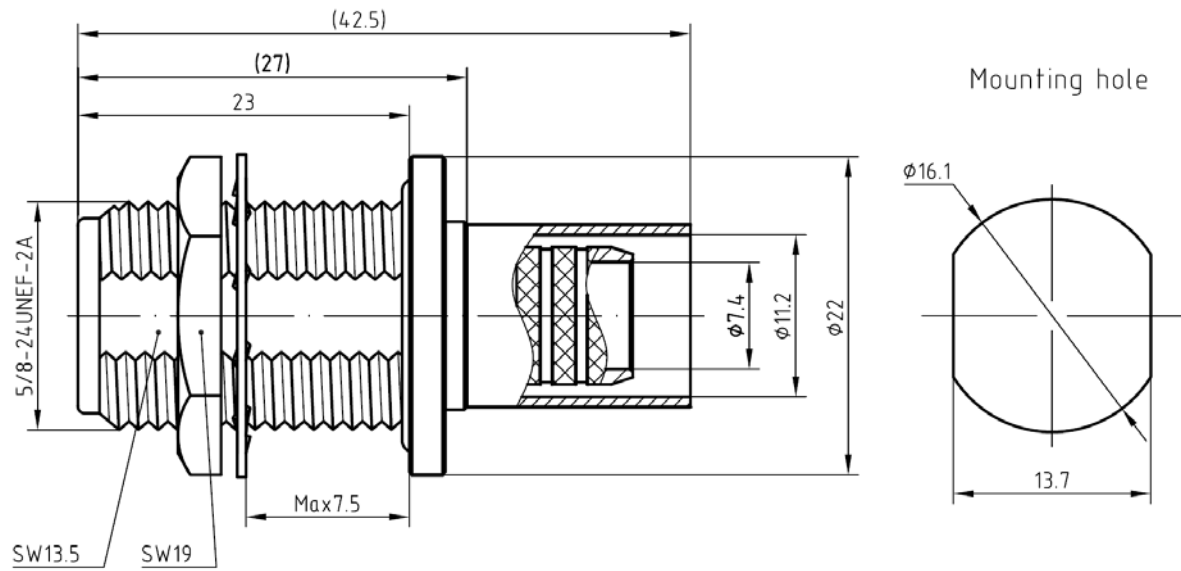
Surface Plating(μm)

Center contact	Gold 0.3 over Nickel 2.0
Body	Nickel 7.0 over copper 2.0
Other pieces	Nickel 7.0 over copper 2.0



Coaxial Cable Connector: N-KY7DY

Outline drawing



Packaging

Standard

40/Box=4 Bag

Other

Contact us