

RF Coaxial Attenuator: N 50watt 40dB 3G

ATR-50NMF3-040-050

Attenuator, N(male)- N(female), power 50 Watt, frequency 3 GHz , rejection 40 db

Electrical Data

Impedance	50 Ω
Fr. Range	DC~3GHz
VSWR	1.15max@1.5GHz 1.25 max@3GHz
Average Power	50 W
Peak Power	0.5 KW
Atten&Accuracy	40 \pm 1dB
Voltage rating	1000 V(rms)
Test voltage	1500 V(rms)
Contact resistance:	
Center conductor	\leq 1m Ω
Out conductor	\leq 0.2m Ω
Insulation resistance	\geq 5000M Ω

Mechanical Data

Connector Type:	N type
Weight:	415.8g
Durability	500 Cycles

Environmental Data

Operating Temperature	-55 $^{\circ}$ C to +125 $^{\circ}$ C
-----------------------	---------------------------------------

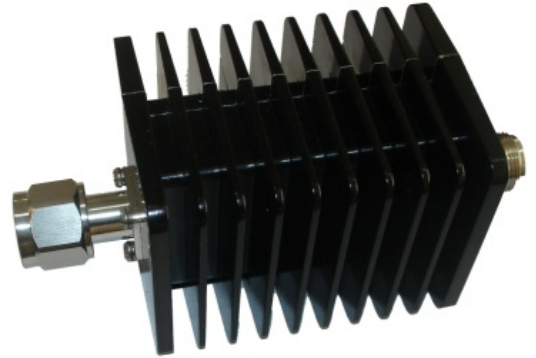
Material Data Piece

Parts

Body	Brass
Center contact	Phospher bronze
Scatterer	Aluminium
Insulator	PTFE

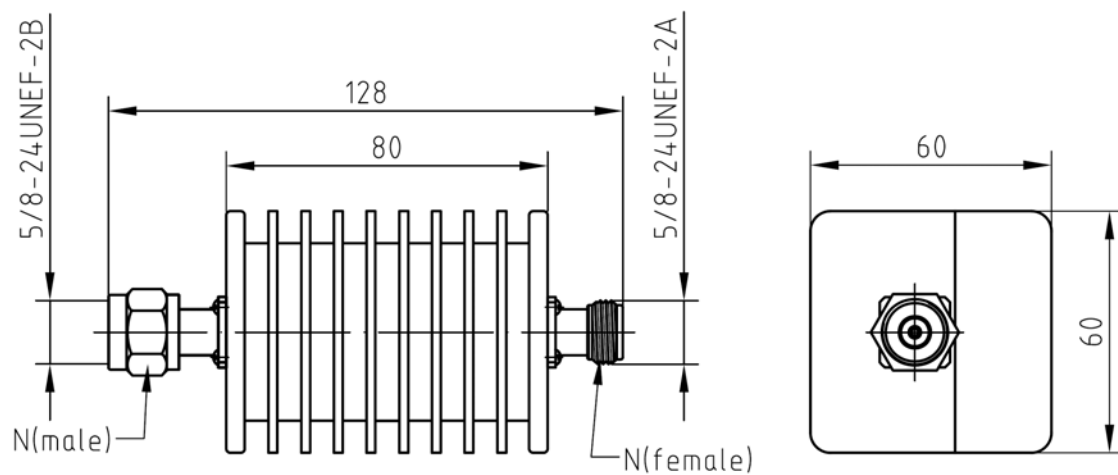
Material

White bronze 3.0 over copper 2.0
Silver 7.0 over copper 2.0
Black oxygenation



RF Coaxial Attenuator: N 50watt 40dB 3G
ATR-50NMF3-040-050

Outline drawing



Packaging

Standard

Other

1/Box=1 Bag

Contact us