

Coaxial Between Series Adapter: N/TNC-KJ

Description

Adaptor N jack (female) / TNC plug (male)

Interface standards

MIL-C-39012

Technical Data

Electrical Data

Impedance	50Ω
Interface frequency max.	11 GHz
VSWR	$1.05+0.03 \times f$ (GHz) max
Voltage rating	500 V(rms)
Test voltage	1000 V(rms)
Contact resistance:	
Center conductor	$\leq 3 \text{ m}\Omega$
Out conductor	$\leq 2 \text{ m}\Omega$
Insulation resistance	$\geq 5000 \text{ M}\Omega$

Mechanical Data

Weight	36 g
Durability	500 Cycles

Environmental Data

Operating Temperature	-65 °C to 165 °C
-----------------------	------------------

Material Data

Piece Parts

Center contact	Beryllium copper
Body	Brass
Coupling nut	Brass
Insulator	PTFE

Material

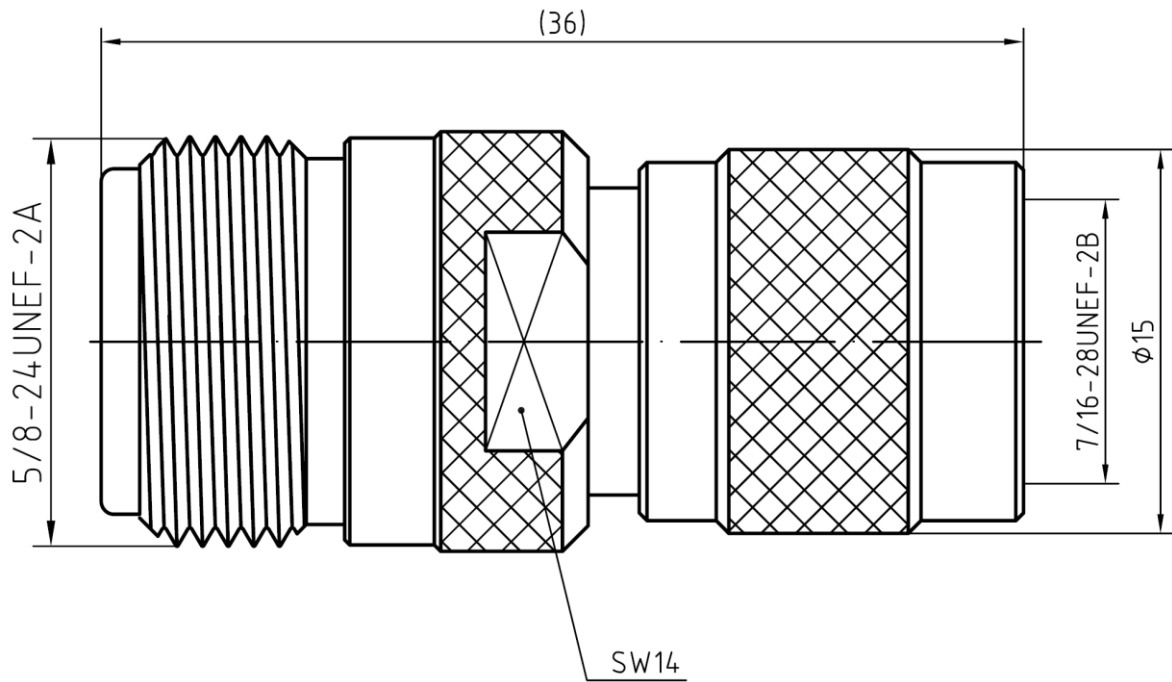
Surface Plating(μ m)

Gold 0.3 over Nickel 2.0
Nickel 7.0 over copper 2.0
Nickel 7.0 over copper 2.0



Coaxial Between Series Adapter: N/TNC-KJ

Outline drawing



Packaging

Standard

Other

50/Box=5 Bag

Contact us