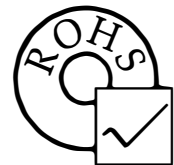
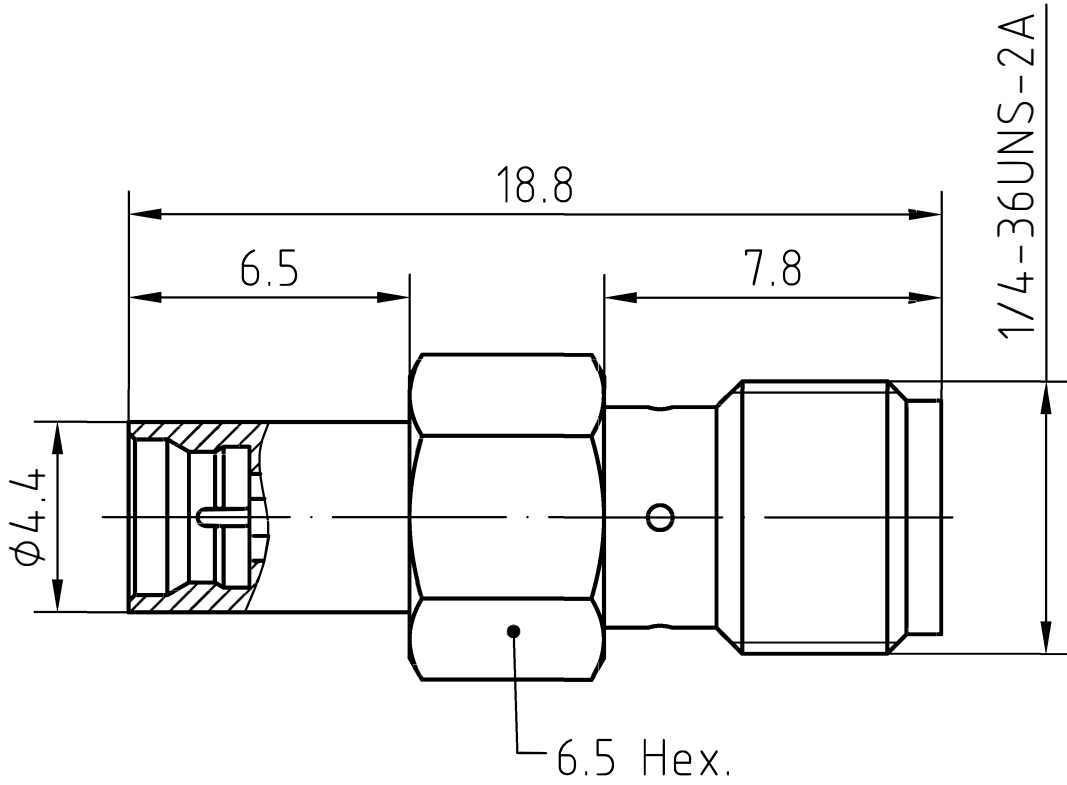


DRAWING



1	1	Body	Brass/Gold plated	Gold 0.3um over Nickel 2.0um
2	1	Insulator	PTFE	
1	1	Center contact	Beryllium copper/Gold plated	Gold 0.5um over Nickel 2.0um
Itemref	Quantity	Title/Name, designation, material, dimension etc		Article No./Reference

Designed by Mingang Han	Checked by Jinlong Gu	Approved by - date Hongyu Du	File name SMA/SMP-KJ	Date 12.02.20	Scale 1:1
----------------------------	--------------------------	---------------------------------	-------------------------	------------------	--------------

Amitron Electronics, Ltd.	SMA/SMP-KJ			
	<a href="http://www.amel.ru">http://www.amel.ru</a>	Edition 1.0	Sheet 1/1	

## CHARACTERISTICS

DESCRIPTION:	ADAPTOR SMA JACK TO SMP PLUG
--------------	------------------------------

Electrical data:

<i>Impedance:</i>	<i>50 ohm</i>
<i>Frequency range:</i>	<i>DC to 18 GHz</i>
<i>Return loss:</i>	<i>≥25dB, DC-4GHz</i> <i>≥20dB, 4-10GHz</i> <i>≥15dB, 10-18GHz</i>
<i>Insertion loss:</i>	<i>≤0.20 X √f[GHz] dB</i>
<i>Insulation resistance:</i>	<i>≥5000MΩ</i>
<i>Test voltage:</i>	<i>500 V rms</i>
<i>Working voltage:</i>	<i>335 V rms</i>
<i>Contact resistance:</i>	
1). <i>Centre contact:</i>	<i>≤6.0 mΩ, SMP side; ≤3 mΩ, SMA side</i>
2). <i>Outer conductor:</i>	<i>≤2.0 mΩ, SMP side; ≤2 mΩ, SMA side</i>

Mechanical data:

	<i>SMA</i>	<i>SMP</i>
<i>Mating cycles:</i>	<i>≥500</i>	
<i>if mating part is smooth bore:</i>		<i>≥1000</i>
<i>if mating part is limited detent:</i>		<i>≥500</i>
<i>if mating part is full detent:</i>		<i>≥100</i>
<i>Center contact captivation:</i>	<i>≥10 N(axial)</i>	<i>≥10 N(axial)</i>
<i>Engagement force:</i>		<i>N/A</i>
<i>- smooth bore :</i>		<i>≤9 N.</i>
<i>- limited detent:</i>		<i>≤45 N.</i>
<i>- full detent:</i>		<i>≤68 N.</i>
<i>Disengagement force:</i>		
<i>- smooth bore :</i>		<i>≥2.2 N.</i>
<i>- limited detent:</i>		<i>≥9 N.</i>
<i>- full detent:</i>		<i>≥22 N.</i>
<i>Recommended torque:</i>	<i>0.46 Nm to 0.69 Nm</i>	