

## Coaxial Straight PCB Connector: SSMB-JHD

### Description

SSMB Straight jack receptacle for PCB solder legs

### Interface standards

MIL-C-39012

### Technical Data

#### Electrical Data

Impedance	50 $\Omega$
Interface frequency max.	3 GHz
VSWR	1.05+0.05 $\times$ f(GHz) max
Voltage rating	170 V(rms)
Test voltage	500 V(rms)
Contact resistance:	
Center conductor	$\leq$ 5 m $\Omega$
Out conductor	$\leq$ 2.5 m $\Omega$
Insulation resistance	$\geq$ 1000M $\Omega$

#### Mechanical Data

Weight	0.9 g
Durability	500 Cycles

#### Environmental Data

Operating Temperature	-65 $^{\circ}$ C to 165 $^{\circ}$ C
-----------------------	--------------------------------------

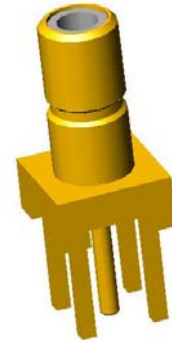
#### Material Data

##### Piece Parts

Center contact	Brass
Body	Brass
Insulator	PTFE

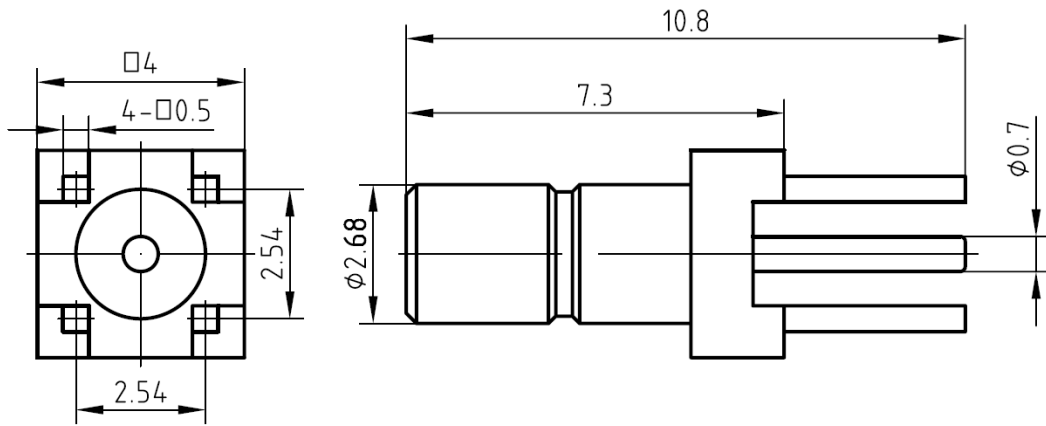
##### Surface Plating( $\mu$ m)

Gold 0.5 over Nickel 2.0
Gold 0.2 over Nickel 2.0

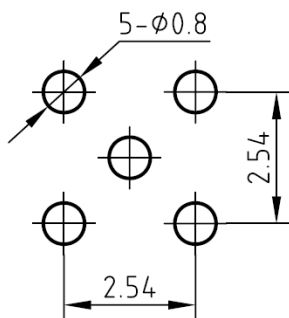


# Coaxial Straight PCB Connector: SSMB-JHD

## Outline drawing



Mounting hole



## Packaging

Standard

200/Box=20 Bag

Other

Contact us