

Coaxial Straight PCB Connector: MMCX-JHTC2

Description

Edge mount straight PCB plug

Interface standards

MIL-C-39012

Technical Data

Electrical Data

Impedance	50 Ω
Interface frequency max.	6 GHz
VSWR	1.05+0.05 \times f(GHz) max
Voltage rating	170 V(rms)
Test voltage	500 V(rms)
Contact resistance:	
Center conductor	≤ 10 m Ω
Out conductor	≤ 5 m Ω
Insulation resistance	≥ 1000 M Ω

Mechanical Data

Weight	0.7 g
Durability	500 Cycles

Environmental Data

Operating Temperature	-65 $^{\circ}$ C to 165 $^{\circ}$ C
-----------------------	--------------------------------------

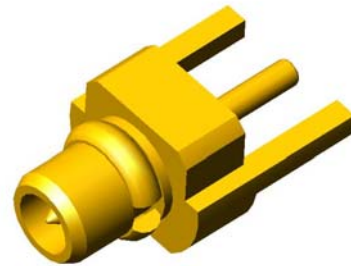
Material Data

Piece Parts

Center contact	Brass
Outer contact	Beryllium copper
Body	Brass
Insulator	PTFE

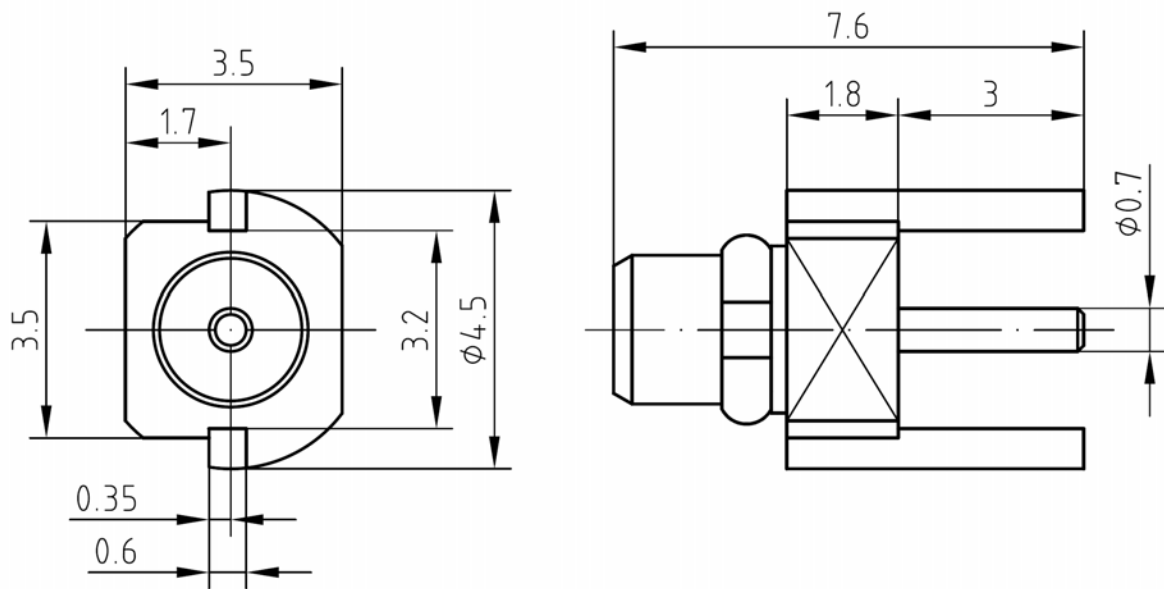
Surface Plating(μ m)

Center contact	Gold 0.5 over Nickel 2.0
Outer contact	Gold 0.5 over Nickel 2.0
Body	Gold 0.2 over Nickel 2.0



Coaxial Straight PCB Connector: MMCX-JHTC2

Outline drawing



Packaging

Standard

500/Box=5 Bag

Other

Contact us