

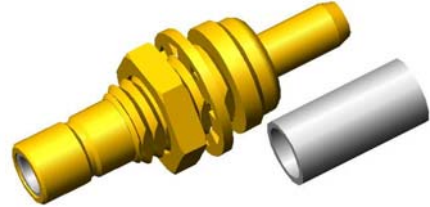
Coaxial Straight Bulkhead Connector: SMB-JY3Y

Description

Straight bulkhead jack for Flexible cable 2.5/3/50S

Interface standards

MIL-C-39012



Technical Data

Electrical Data

Impedance	50 Ω
Interface frequency max.	4 GHz
VSWR	1.05+0.06 \times f(GHz) max
Voltage rating	250 V(rms)
Test voltage	750 V(rms)
Contact resistance:	
Center conductor	\leq 6 m Ω
Out conductor	\leq 1.5 m Ω
Insulation resistance	\geq 1000M Ω

Mechanical Data

Weight	3.7 g
Durability	500 Cycles

Environmental Data

Operating Temperature	-65 $^{\circ}$ C to 165 $^{\circ}$ C
-----------------------	--------------------------------------

Material Data

Piece Parts

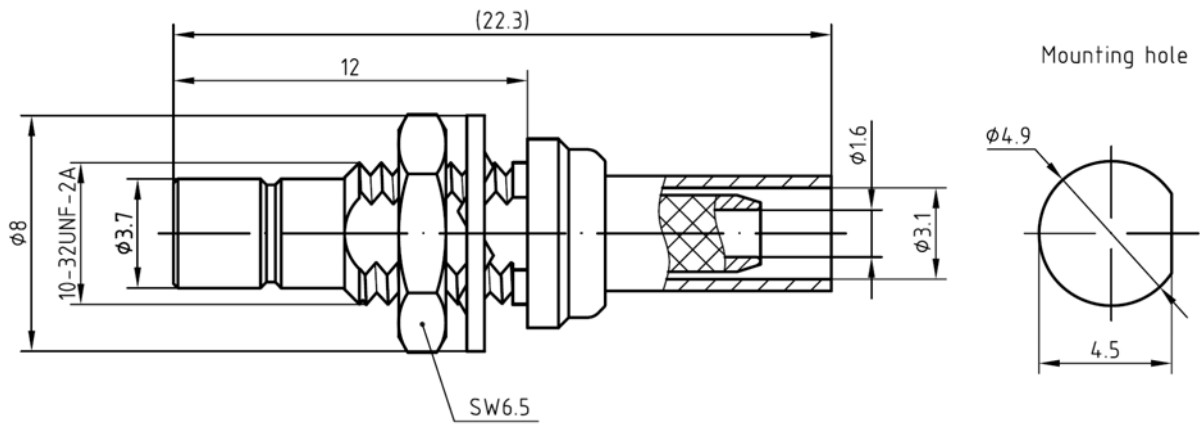
Center contact	Brass
Body	Brass
Coupling nut	Brass
Insulator	PTFE

Surface Plating(μ m)

Center contact	Gold 0.5 over Nickel 2.0
Body	Gold 0.2 over Nickel 2.0
Coupling nut	Gold 0.2 over Nickel 2.0

Coaxial Straight Bulkhead Connector: SMB-JY3Y

Outline drawing



Packaging

Standard

150/Box=15 Bag

Other

Contact us