

Coaxial Right Angle Connector: N-JWB6

Description

N Type Right angle cable plug for cable .250

Interface standards

MIL-C-39012

Technical Data

Electrical Data

Impedance	50 Ω
Interface frequency max.	8 GHz
VSWR	1.08+0.05 \times f (GHz) max
Voltage rating	1000 V(rms)
Test voltage	1500 V(rms)
Contact resistance:	
Center conductor	$\leq 1.0\text{m } \Omega$
Out conductor	$\leq 0.2\text{m } \Omega$
Insulation resistance	$\geq 5000\text{M } \Omega$

Mechanical Data

Weight	44 g
Durability	500 Cycles

Environmental Data

Operating Temperature	-65 $^{\circ}\text{C}$ to 165 $^{\circ}\text{C}$
-----------------------	--

Material Data

Piece Parts

Center contact
Body
Gasket
Insulator
Other pieces

Material

Brass
Brass
Silicone Rubber
PTFE
Brass

Surface Plating(μm)

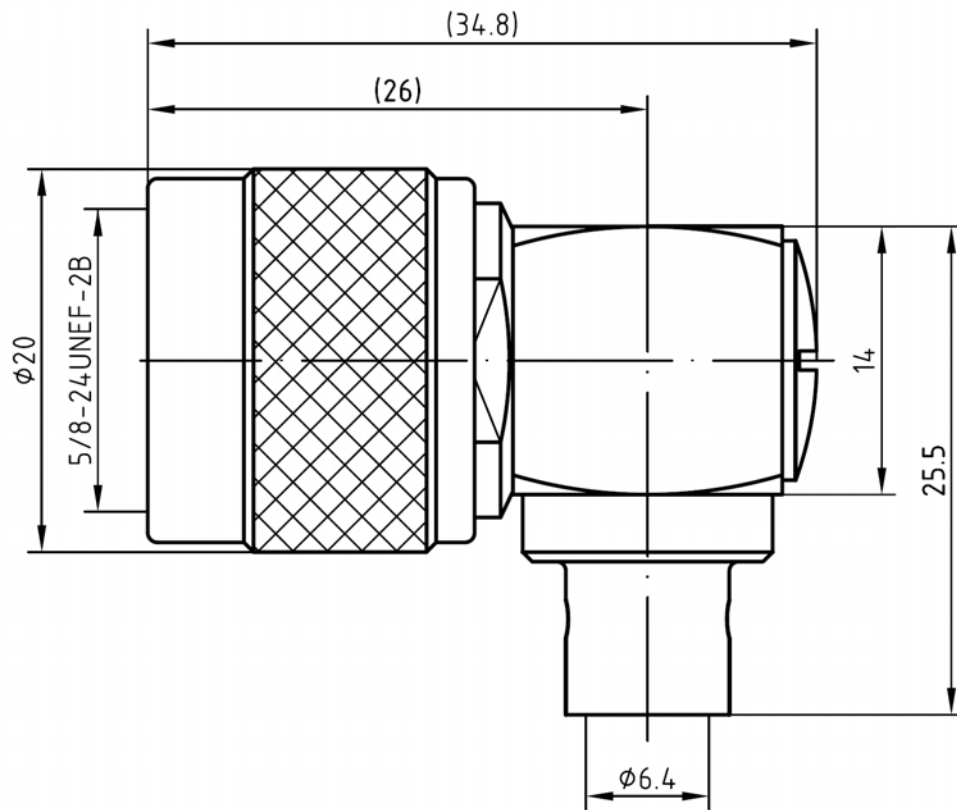
Gold 0.3 over Nickel 2.0
Nickel 7.0 over copper 2.0

Nickel 7.0 over copper 2.0
or White copper 4.0 over copper 1.0



Coaxial Right Angle Connector: N-JWB6

Outline drawing



Packaging

Standard

Other

35/Box=7 Bag

Contact us