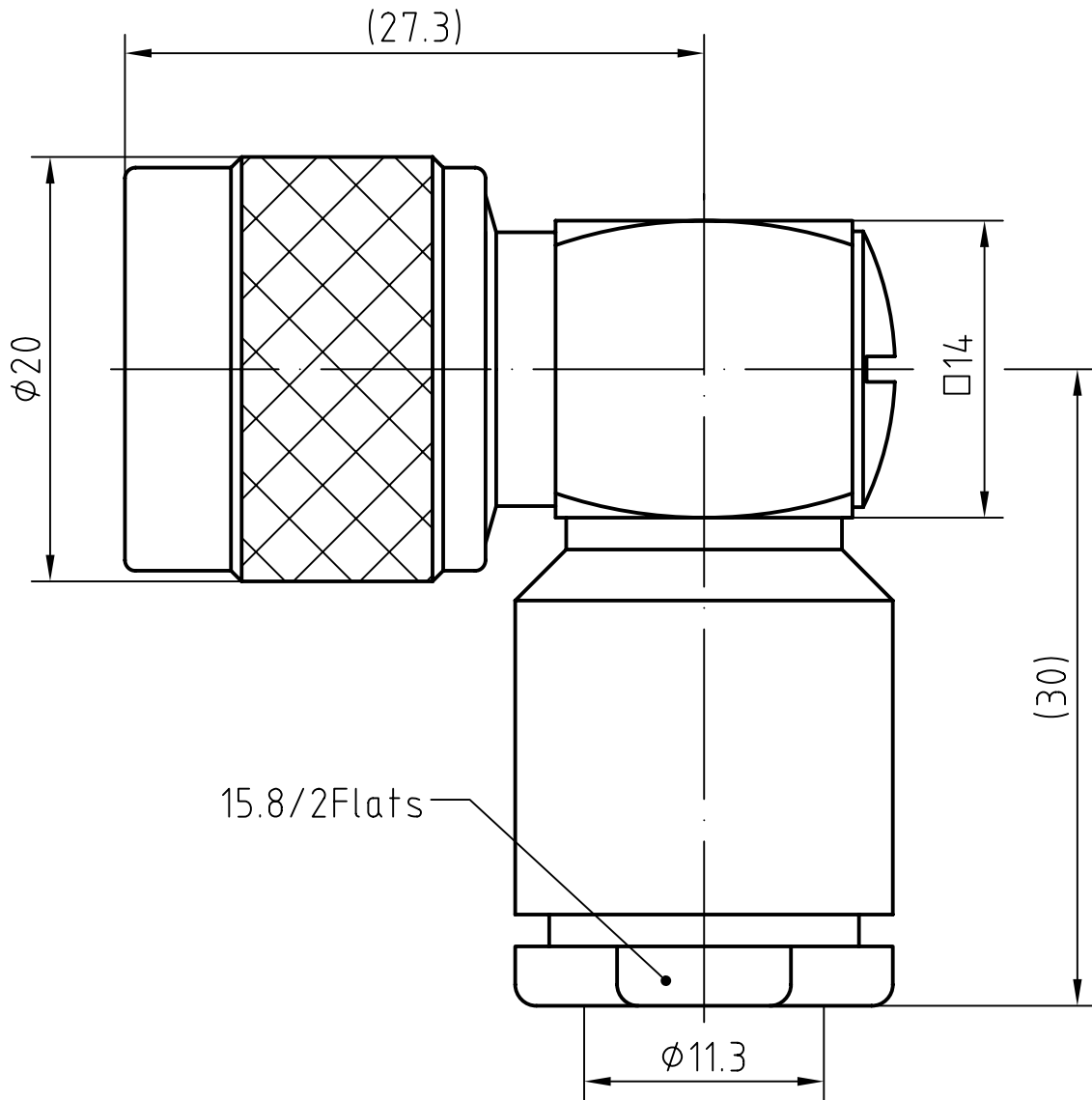


DRAWING



4	1	O ring	Silicon rubber	
3	1	Body	Brass/Nickel plated	Nickel 7.0um over Copper 2.0um
2	1	Insulator	PTFE	
1	1	Centor contact	Brass/Gold plated	Gold 0.3um over Nickel 2.0um
Itemref	Quantity	Title/Name, designation, material, dimension etc		Article No./Reference

Designed by	Checked by	Approved by - date	File name	Date	Scale
-------------	------------	--------------------	-----------	------	-------

Amitron Electronics, Ltd.

N-JW7

<http://www.amel.ru>

Edition

Sheet

CHARACTERISTICS

DESCRIPTION: N Type male R/A connector

Electrical data:

<i>Impedance:</i>	50 ohm
<i>Frequency range:</i>	DC to 11.0 GHz
<i>Return loss:</i>	≥33dB, DC-1GHz ≥28dB, 1-2.5GHz ≥18dB, 2.5-6GHz
<i>Insertion loss:</i>	≤0.08X√f[GHz] dB, DC-4GHz
<i>Insulation resistance:</i>	≥5000MΩ
<i>Test voltage:</i>	1500 V rms
<i>Working voltage:</i>	500 V rms
<i>Contact resistance:</i>	
1). <i>Centre contact:</i>	1.0 mΩ
2). <i>Outer conductor:</i>	0.25 mΩ
<i>Power handling (at 20 ° C, sea level, VSWR 1.0):</i>	1000 W @ 1 GHz 700 W @ 2 GHz
<i>RF-leakage:</i>	≥ 128 dB up to 1 GHz

Environmental data:

<i>Temperature rating:</i>	-65 ° C to +165 ° C
<i>2002/95/EC (RoHS):</i>	Compliant

Mechanical data:

<i>Mating cycles:</i>	≥500
<i>Center contact captivation:</i>	≥27 N(axial)
<i>Coupling test torque:</i>	≤1.7 Nm
<i>Recommended torque:</i>	0.7 Nm to 1.1 Nm

Suitable cables:

RG8, RG213, RG214, RG225