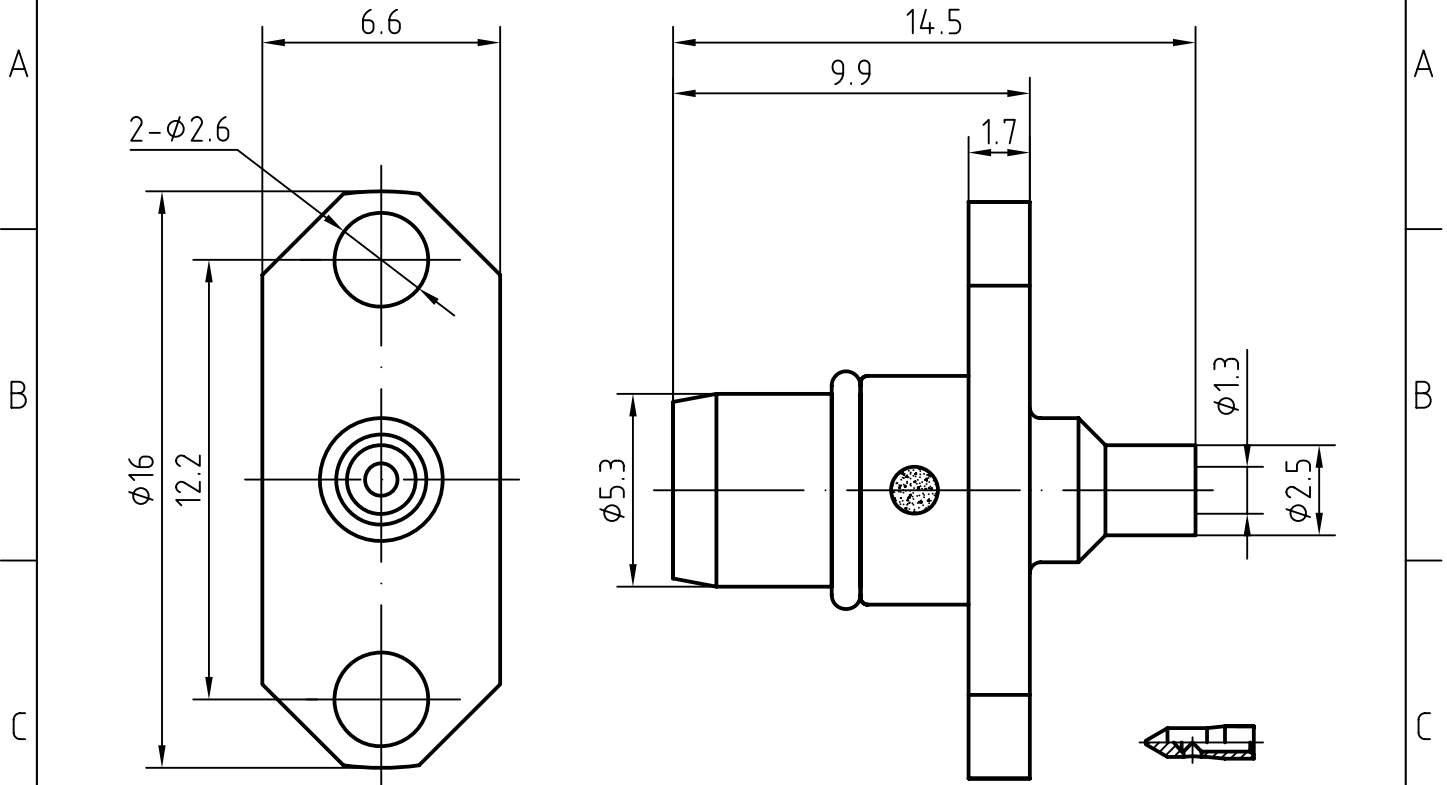
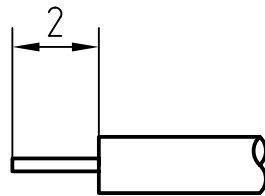


DRAWING



CABLE(UT047,,670-047)



4	1	O ring	Silicone rubber	
3	1	Body	Brass/Gold plated	Gold 0.2 over Nickel 2.0
2	1	Insulator	PTFE	
1	1	Center contact	Beryllium copper/Gold plated	Gold 0.5 over Nickel 2.0
Itemref	Quantity	Title/Name, designation, material, dimension etc		Article No./Reference

Designed by Mingang Han	Checked by Jinlong GU	Approved by - date Hongyu Du	File name BMA-JFB1	Date 09.02.02	Scale 6 : 1
----------------------------	--------------------------	---------------------------------	-----------------------	------------------	----------------

Amitron Electronics, Ltd.	BMA-JFB1		
	<a href="http://www.amel.ru">http://www.amel.ru</a>	Edition 1.0	Sheet 1/1

## CHARACTERISTICS

DESCRIPTION: BMA Type male FL connector(2 holes)

### Electrical data:

<i>Impedance:</i>	50 ohm
<i>Frequency range:</i>	DC to 18 GHz
<i>VSWR:</i>	$\leq 1.06 + 0.03Xf$ [GHz]
<i>Insertion loss:</i>	$\leq 0.08X \sqrt{f}$ [GHz] dB
<i>Insulation resistance:</i>	$\geq 5000M\Omega$
<i>Test voltage:</i>	750 V rms
<i>Working voltage:</i>	480 V rms
<i>Contact resistance:</i>	
1). Centre contact:	3.0 m $\Omega$
2). Outer conductor:	2.0 m $\Omega$

### Environmental data:

<i>Temperature rating:</i>	-65 ° C to +125 ° C
<i>2002/95/EC (RoHS):</i>	Compliant

### Mechanical data:

<i>Mating cycles:</i>	$\geq 500$
-----------------------	------------

### Suitable cables:

UT047,,670-047