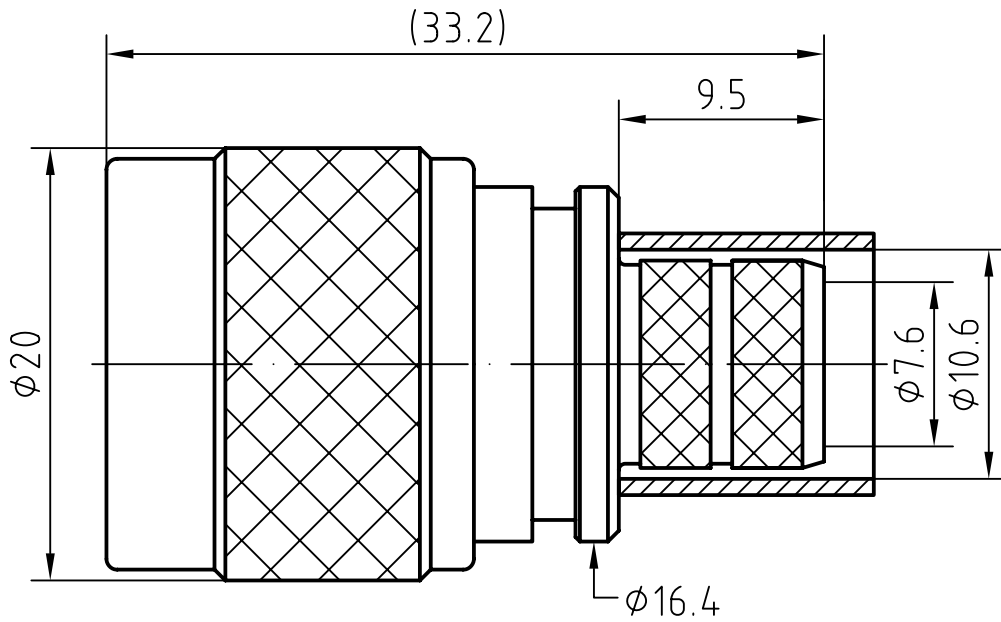
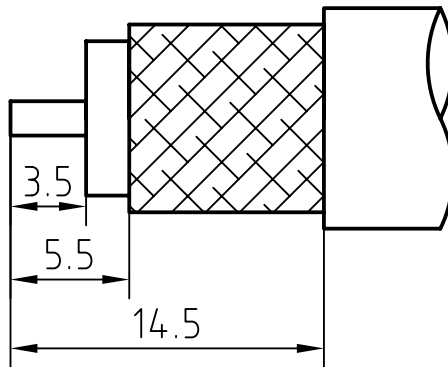


DRAWING



CABLE(LMR400)



5	1	O ring	Silicon rubber	
4	1	Coupling nut	Brass/SUCOplated	CuSnZn 3um over Copper 2um
3	1	Body	Brass/SUCOplated	CuSnZn 3um over Copper 2um
2	1	Insulator	PTFE	
1	1	Center contact	Brass/Gold plated	Gold 0.1 over Nickel 2.0

Designed by Mingang Han	Checked by Jinlong Gu	Approved by - date Hongyu Du	File name N-J400YT	Date 16.04.13	Scale 1:1
----------------------------	--------------------------	---------------------------------	-----------------------	------------------	--------------

Amitron Electronics, Ltd.

N-J400YT

<http://www.amel.ru>

Edition
1.0 Sheet
1/1

CHARACTERISTICS

DESCRIPTION: N Type male str connector

Electrical data:

<i>Impedance:</i>	50 ohm
<i>Frequency range:</i>	DC to 11 GHz
<i>VSWR:</i>	$\leq 1.05 + 0.06 \times f$ [GHz], DC-6GHz
<i>Insertion loss:</i>	≤ 0.25 dB, DC-6GHz
<i>Insulation resistance:</i>	≥ 5000 M Ω
<i>Test voltage:</i>	2500 V rms
<i>Working voltage:</i>	1400 V rms
<i>Contact resistance:</i>	
1). Centre contact:	1.0 m Ω
2). Outer conductor:	0.25 m Ω
<i>Power handling</i> (at 20 °C, sea level, VSWR 1.0):	1000 W @ 1 GHz 700 W @ 2 GHz

RF-leakage:

- Limitations are possible due to the used cable type -

≥ 128 dB up to 1 GHz

Environmental data:

<i>Temperature rating:</i>	-65 ° C to +165 ° C
2002/95/EC (RoHS):	Compliant

Mechanical data:

<i>Mating cycles:</i>	≥ 500
<i>Coupling nut retention:</i>	≥ 450 N
<i>Coupling test torque:</i>	≤ 1.7 Nm
<i>Recommended torque:</i>	0.7 Nm to 1.1 Nm

Suitable cables:

LMR400

Amitron Electronics, Ltd.

<http://www.amel.ru>

e-mail: mailbox@amel.ru