

Coaxial Right Angle Connector: MMCX-JWB3

Description

MMCX Right angle plug solder type cable .141

Interface standards

MIL-C-39012

Technical Data

Electrical Data

Impedance	50 Ω
Interface frequency max.	4 GHz
VSWR	1.05+0.07 \times f(GHz) max
Voltage rating	170 V(rms)
Test voltage	500 V(rms)
Contact resistance:	
Center conductor	≤ 10 m Ω
Out conductor	≤ 5 m Ω
Insulation resistance	≥ 5000 M Ω

Mechanical Data

Weight	1.8 g
Durability	500 Cycles

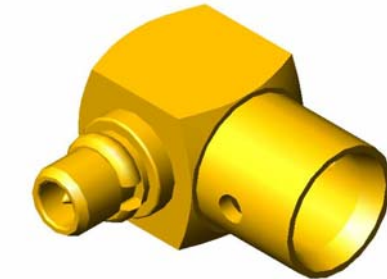
Environmental Data

Operating Temperature	-65 $^{\circ}$ C to 165 $^{\circ}$ C
-----------------------	--------------------------------------

Material Data

Piece Parts

Body	Brass
Center contact	Beryllium copper
Insulator	PTFE

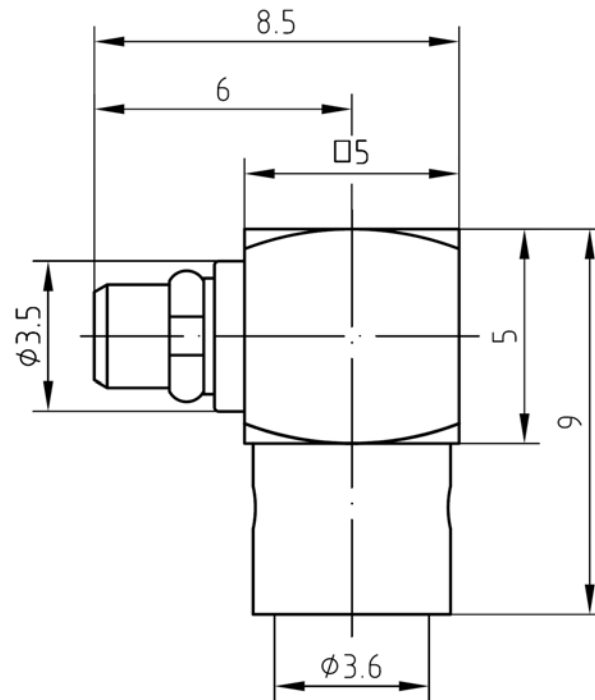


Surface Plating(μ m)

Gold 0.2 over Nickel 2.0
Gold 0.5 over Nickel 2.0

Coaxial Right Angle Connector: MMCX-JWB3

Outline drawing



Packaging

Standard

Other

200/Box=20 Bag

Contact us