

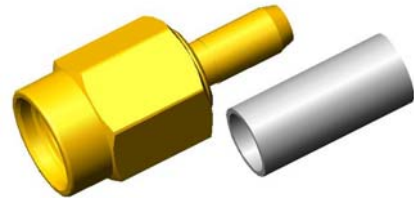
# Coaxial Straight Connector: SSMA-J2.5D

## Description

SSMA Straight plug for Flexible cable 2.5/50D

## Interface standards

MIL-C-39012



## Technical Data

### Electrical Data

Impedance	50 $\Omega$
Interface frequency max.	12.4 GHz
VSWR	1.10+0.02 $\times$ f(GHz) max
Voltage rating	500 V(rms)
Test voltage	750 V(rms)
Contact resistance:	
Center conductor	$\leq 3\text{m } \Omega$
Out conductor	$\leq 2\text{m } \Omega$
Insulation resistance	$\geq 5000\text{M } \Omega$

### Mechanical Data

Weight	2.3 g
Durability	500 Cycles

### Environmental Data

Operating Temperature	-65 $^{\circ}\text{C}$ to 165 $^{\circ}\text{C}$
-----------------------	--

### Material Data

#### Piece Parts

Center contact	Brass
Body	Brass
Coupling nut	Brass
Gasket	Silicone Rubber
Insulator	PTFE

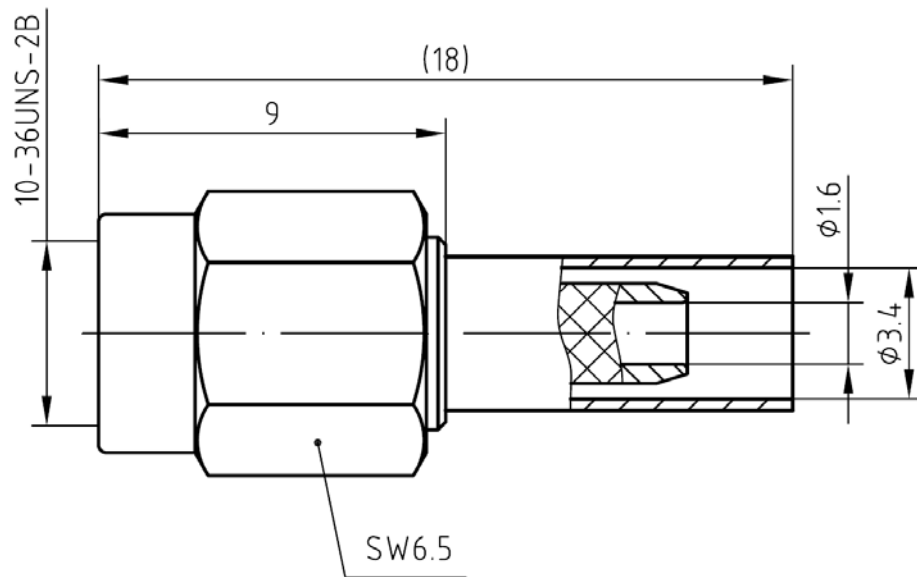
#### Material

#### Surface Plating( $\mu\text{m}$ )

Gold 0.5 over Nickel 2.0
Gold 0.2 over Nickel 2.0
Gold 0.2 over Nickel 2.0

## Coaxial Straight Connector: SSMA-J2.5D

### Outline drawing



### Packaging

Standard

Other

150/Box=15 Bag

Contact us