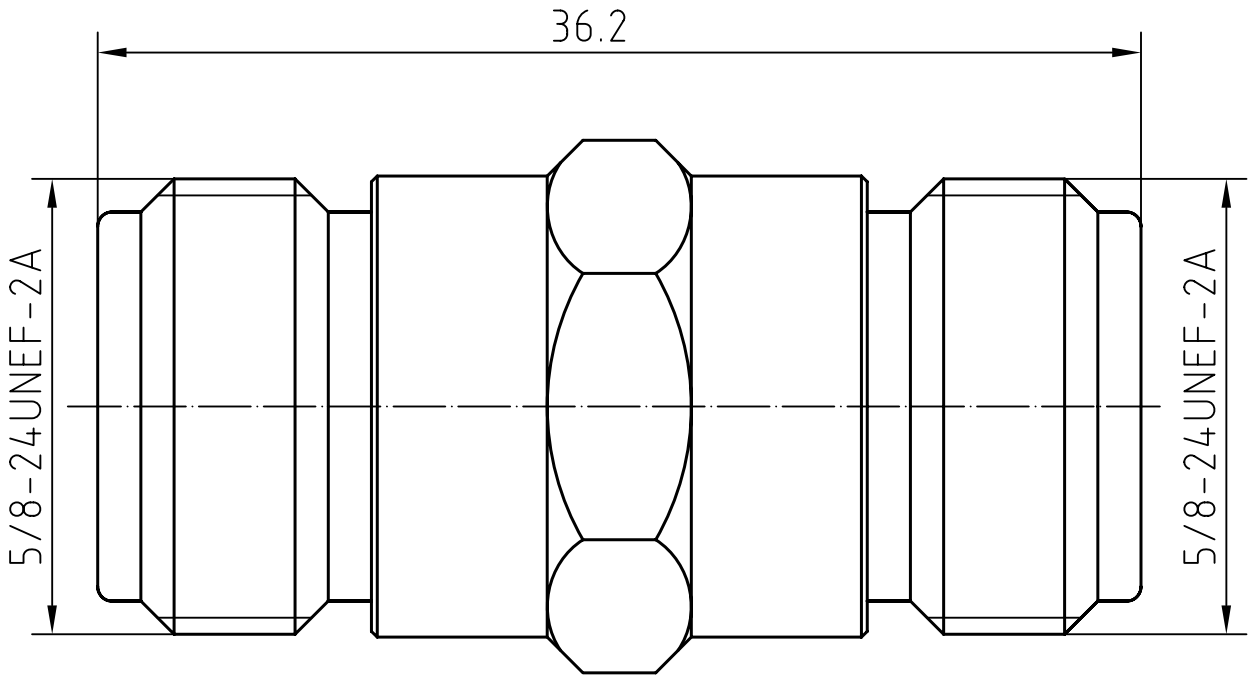


DRAWING



3	1	Insulator	PTFE	
2	1	Center contact	Phosphor bronze/Gold plated	Gold 0.2um over 7um Nickel
1	1	Body	Brass/Nickel plated	Nickel 7um over Copper 2um
Itemref	Quantity	Title/Name, designation, material, dimension etc		Article No./Reference

Designed by Mingang Han	Checked by Jinlong GU	Approved by - date Hongyu Du 06.07.17	File name N-KK	Date 06.07.17	Scale 4 : 1
----------------------------	--------------------------	------------------------------------------	-------------------	------------------	----------------

Amitron Electronics, Ltd.	N-KK		
	<a href="http://www.amel.ru">http://www.amel.ru</a>	Edition 1.0	Sheet 1/1

## CHARACTERISTICS

DESCRIPTION: N Type jack to jack adaptor

### Electrical data:

<i>Impedance:</i>	50 ohm
<i>Frequency range:</i>	DC to 11 GHz
<i>VSWR:</i>	$\leq 1.35:1$
<i>Insertion loss:</i>	$\leq 0.35\text{dB}$
<i>Insulation resistance:</i>	$\geq 5000\text{M}\Omega$
<i>Test voltage:</i>	1500 V rms
<i>Working voltage:</i>	1400 V rms
<i>Contact resistance:</i>	
1). Centre contact:	1.5 m $\Omega$
2). Outer conductor:	0.2 m $\Omega$
<i>Power handling (at 20 ° C, sea level, VSWR 1.0)</i>	1000 W @ 1 GHz 700 W @ 2 GHz

### Environmental data:

<i>Temperature rating:</i>	-65 ° C to +165 ° C
<i>2002/95/EC (RoHS):</i>	Compliant

### Mechanical data:

<i>Mating cycles:</i>	$\geq 500$
<i>Center contact captivation:</i>	$\geq 27\text{ N(axial)}$
<i>Coupling test torque:</i>	$\leq 1.7\text{ Nm}$
<i>Recommended torque:</i>	0.7 Nm to 1.1 Nm

### Suitable cables:

N/A