

DRAWING

A

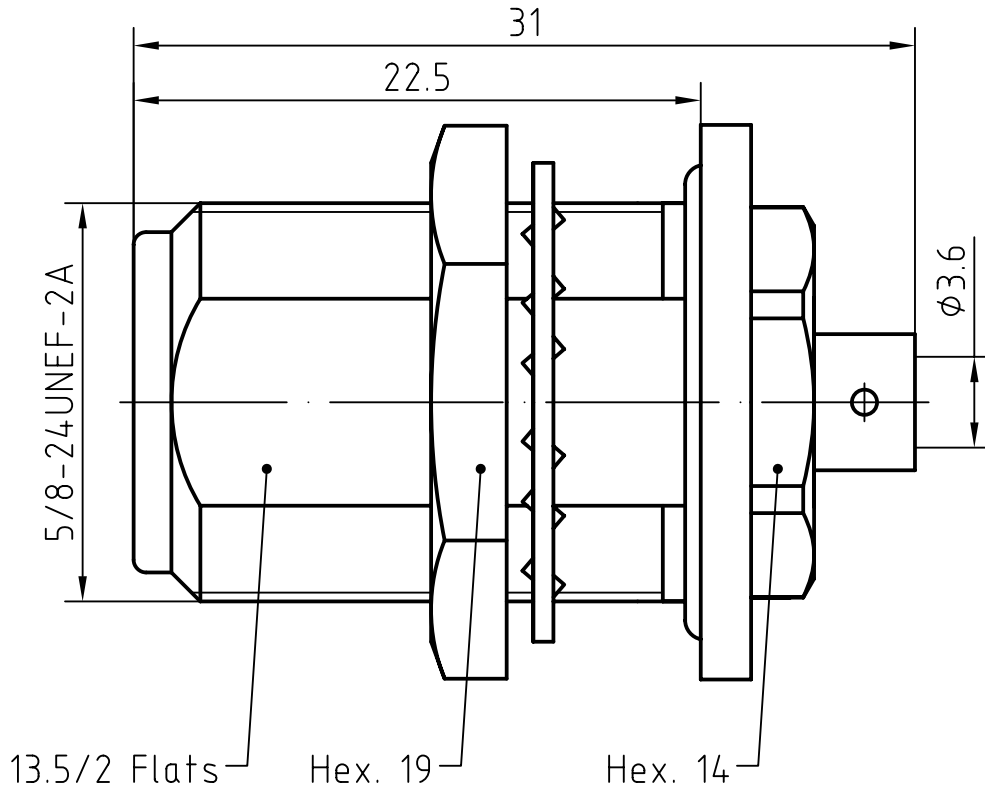
B

C

A

B

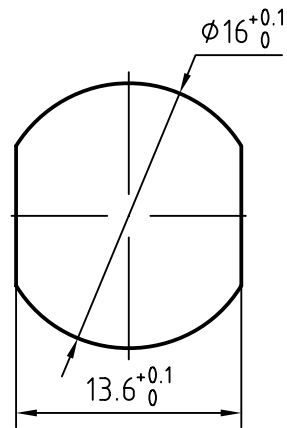
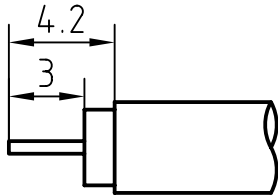
C



CABLE(UT141,RG402)

Mounting hole

D



D

E

6	1	Solder body	Brass/Sucoplated	
5	1	Washer	Phosphor bronze/Nickel plated	
4	1	Nut	Brass/Nickel plated	
3	1	Body	Brass/Nickel plated	Nickel 5um over Copper 2um
2	1	Insulator	PTFE	
1	1	Conter contact	Phosphor bronze/Gold plated	Gold 0.5um over Nickel 2um
Itemref	Quantity	Title/Name, designation, material, dimension etc		Article No./Reference

E

F

Designed by
Mingang Han

Checked by
Jinlong GU

Approved by - date
Hongyu Du

File name
N-KYB3

Date
06.09.09

Scale
3 : 1

F

Amitron Electronics, Ltd.

N-KYB3

<http://www.amel.ru>

Edition
1.0

Sheet
1/1

1

4

CHARACTERISTICS

DESCRIPTION: N Type female BH connector

Electrical data:

<i>Impedance:</i>	50 ohm
<i>Frequency range:</i>	DC to 11 GHz
<i>Return loss:</i>	≥30dB, DC-2.5GHz ≥28dB, 2.5-4GHz ≥20dB, 4-8GHz
<i>Insertion loss:</i>	≤0.05dB, DC-4GHz
<i>Insulation resistance:</i>	≥5000MΩ
<i>Test voltage:</i>	2500 V rms
<i>Working voltage:</i>	1400 V rms
<i>Contact resistance:</i>	
1). Centre contact:	1.0 mΩ
2). Outer conductor:	0.25 mΩ
<i>Power handling (at 20 ° C, sea level, VSWR 1.0):</i>	1000 W @ 1 GHz, 700 W @ 2 GHz
<i>RF-leakage</i>	≥128 dB up to 1 GHz

Environmental data:

<i>Temperature rating:</i>	-55° C to +155° C
<i>2002/95/EC (RoHS):</i>	Compliant

Mechanical data:

<i>Mating cycles:</i>	≥500
<i>Center contact captivation:</i>	≥28 N(axial)
<i>Coupling nut retention :</i>	≥450 N
<i>Coupling test torque:</i>	≤1.7 Nm
<i>Recommended torque:</i>	0.70 Nm to 1.10 Nm

Suitable cables:

UT141, RG402