

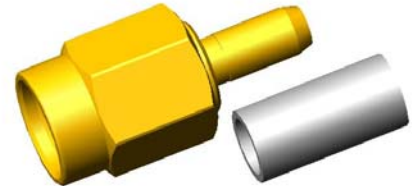
## Coaxial Straight Connector: SSMA-J3

### Description

SSMA Straight plug for Flexible cable 2.5/3/50S

### Interface standards

MIL-C-39012



### Technical Data

#### Electrical Data

Impedance	50 $\Omega$
Interface frequency max.	12.4 GHz
VSWR	1.10+0.02 $\times$ f(GHz) max
Voltage rating	500 V(rms)
Test voltage	750 V(rms)
Contact resistance:	
Center conductor	$\leq$ 3m $\Omega$
Out conductor	$\leq$ 2m $\Omega$
Insulation resistance	$\geq$ 5000M $\Omega$

#### Mechanical Data

Weight	2.4 g
Durability	500 Cycles

#### Environmental Data

Operating Temperature	-65 $^{\circ}$ C to 165 $^{\circ}$ C
-----------------------	--------------------------------------

#### Material Data

##### Piece Parts

Center contact	Brass
Body	Brass
Coupling nut	Brass
Gasket	Silicone Rubber
Insulator	PTFE

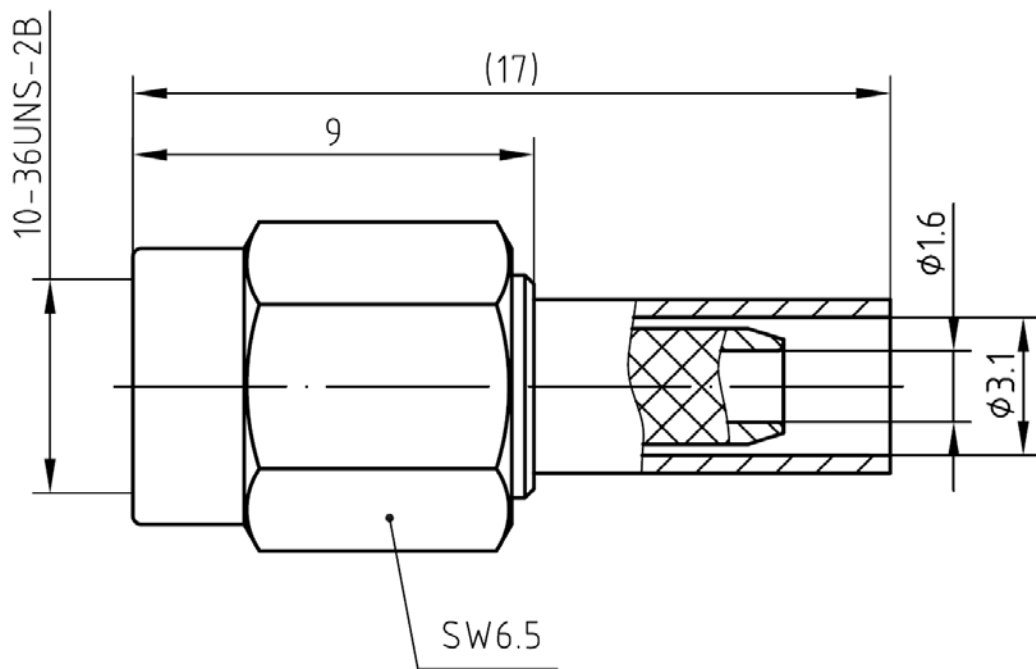
##### Material

##### Surface Plating( $\mu$ m)

Gold 0.5 over Nickel 2.0
Gold 0.2 over Nickel 2.0
Gold 0.2 over Nickel 2.0

# Coaxial Straight Connector: SSMA-J3

## Outline drawing



## Packaging

Standard

Other

150/Box=15 Bag

Contact us