

Coaxial Between Series Adapter: 7/16/N-JJ

Description

Adaptor 7/16 plug (male) / N plug (male)

Interface standards

MIL-C-39012

Technical Data

Electrical Data

Impedance	50 Ω
Interface frequency max.	7.5 GHz
VSWR	$1.05 + 0.02 \times f$ (GHz) max
Voltage rating	1000 V(rms)
Test voltage	2500 V(rms)
Contact resistance:	
Center conductor	≤ 2 m Ω
Out conductor	≤ 0.5 m Ω
Insulation resistance	≥ 5000 M Ω

Mechanical Data

Weight	106g
Durability	500 Cycles

Environmental Data

Operating Temperature	-65 $^{\circ}$ C to 165 $^{\circ}$ C
-----------------------	--------------------------------------

Material Data

Piece Parts

Piece Parts	Material
Center contact	Brass
Outer contact	Brass
Nut	Brass
Insulator	PTFE
Gasket	Silicone Rubber

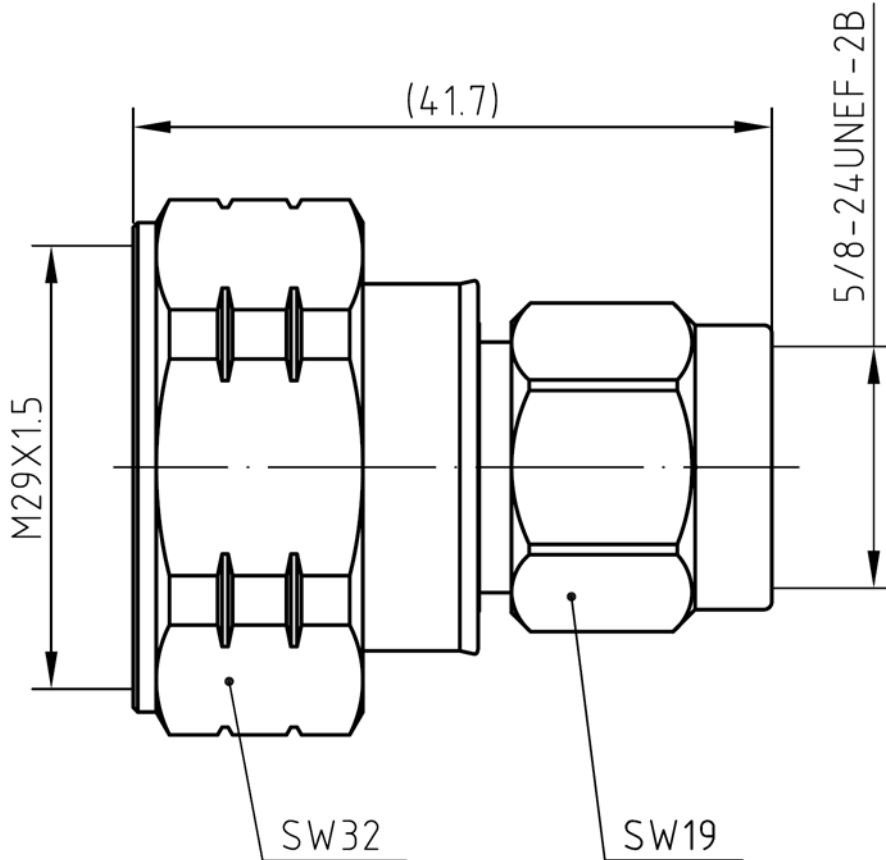
Surface Plating(μ m)

Silver 6.0 over copper 2.0
White copper 4.0 over silver 2.0
White copper 4.0 over copper 1.0



Coaxial Between Series Adapter: 7/16/N-JJ

Outline drawing



Packaging

Standard

20/Box=20 Bag

Other

Contact us