

Coaxial Cable Connector: SSMB-KWB1

Description

SSMB Right angle cable plug solder type cable .047

Interface standards

MIL-C-39012

Technical Data

Electrical Data

Impedance	50 Ω
Interface frequency max.	3 GHz
VSWR	1.07+0.05×f(GHz) max
Voltage rating	170 V(rms)
Test voltage	500 V(rms)
Contact resistance:	
Center conductor	≤ 5m Ω
Out conductor	≤ 2.5m Ω
Insulation resistance	≥1000M Ω

Mechanical Data

Weight	2.4 g
Durability	500 Cycles

Environmental Data

Operating Temperature	-65 °C to 165 °C
-----------------------	------------------

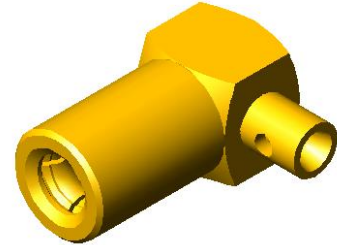
Material Data

Piece Parts

Center contact	Beryllium copper
Body	Brass
Insulator	PTFE

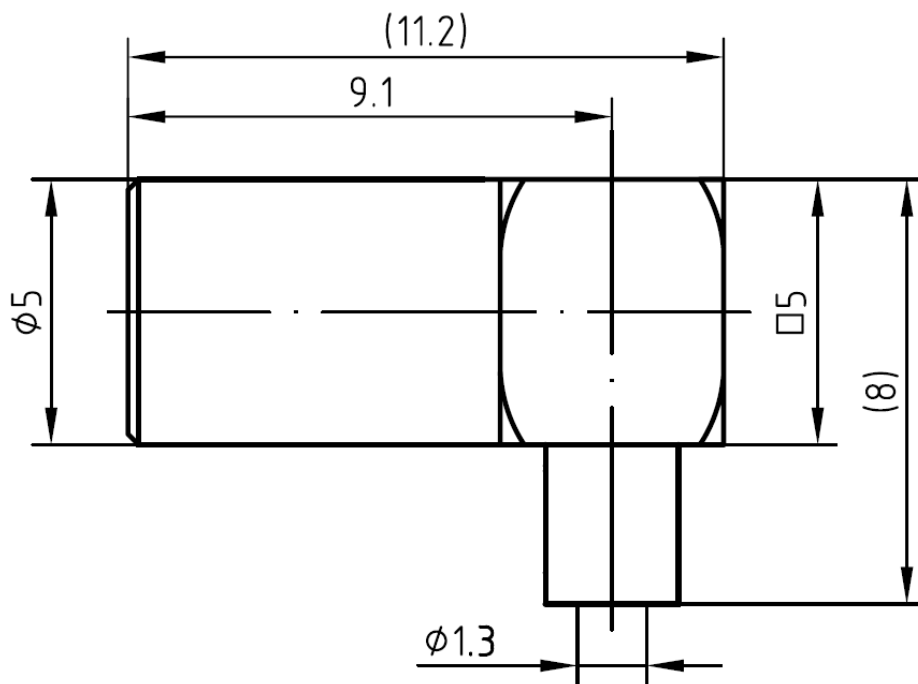
Surface Plating(μ m)

Gold 0.5 over Nickel 2.0
Gold 0.2 over Nickel 2.0



Coaxial Cable Connector: SSMB-KWB1

Outline drawing



Packaging

Standard

150/Box=15 Bag

Other

Contact us