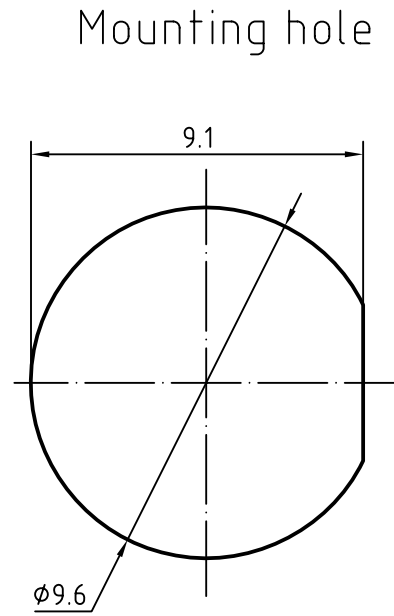
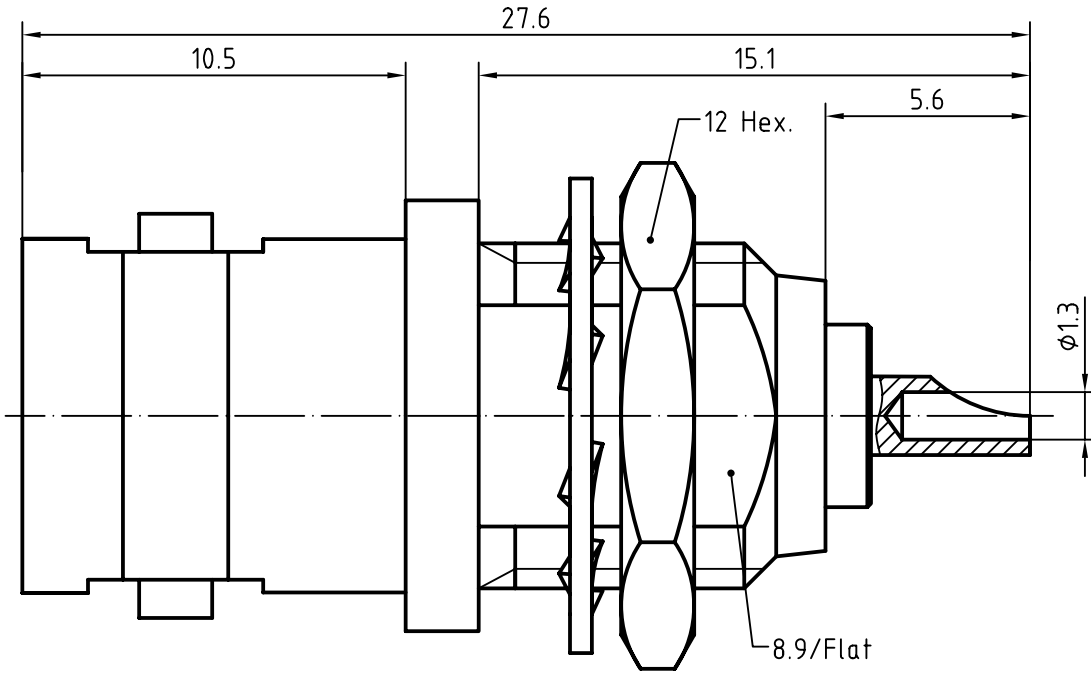


1	2	3	4	5	6	
RevNo	Revision note			Date	Signature	Checked



5	1	Lock nut	Brass/Nickel plated	Nickel 7.0 over Copper 2.0
4	1	Lock washer	Beryllium bronze/Neckel plated	Nickel 7.0 over Copper 2.0
3	1	Body	Brass/Nickel plated	Nickel 7.0 over Copper 2.0
2	1	Insulator	PTFE	
1	1	Centor pin	Phosphor bronze/Gold plated	Gold 0.2 over Nickel 2.0
Itemref	Quantity	Title/Name, designation, material, dimension etc		Article No./Reference

Designed by Mingang Han	Checked by Kintong Gu	Approved by - date Hongyu Du - 06.07.12	File name BNC-KY	Date 06.07.12	Scale 3:1
----------------------------	--------------------------	--	---------------------	------------------	--------------

Amitron Electronics, Ltd.	Title: BNC-KY			
	Customer drawing No.:			Edition 0

## CHARACTERISTICS

DESCRIPTION: BNC Type female BH connector

### Electrical data:

<i>Impedance:</i>	50 ohm
<i>Frequency range:</i>	DC to 4 GHz
<i>VSWR:</i>	$\leq 1.06 \times 0.03f[\text{GHz}]$
<i>Insertion loss:</i>	$\leq 0.025 \times \sqrt{f[\text{GHz}]} \text{ dB}$
<i>Insulation resistance:</i>	$\geq 5000\text{M}\Omega$
<i>Test voltage:</i>	1500 V rms
<i>Working voltage:</i>	500 V rms
<i>Contact resistance:</i>	
1). Centre contact:	1.5 m $\Omega$
2). Outer conductor:	1.0 m $\Omega$
<i>RF Leakage :</i>	$\leq -(57-f[\text{GHz}])\text{dB}$

### Environmental data:

<i>Temperature rating:</i>	-65 ° C to +165 ° C
<i>2002/95/EC (RoHS):</i>	Compliant

### Mechanical data:

<i>Mating cycles:</i>	$\geq 500$
<i>Center contact retention:</i>	$\geq 18 \text{ N(axial)}$
<i>Torque:</i>	$\geq 2.8\text{N.cm}$

### Suitable cables:

N/A