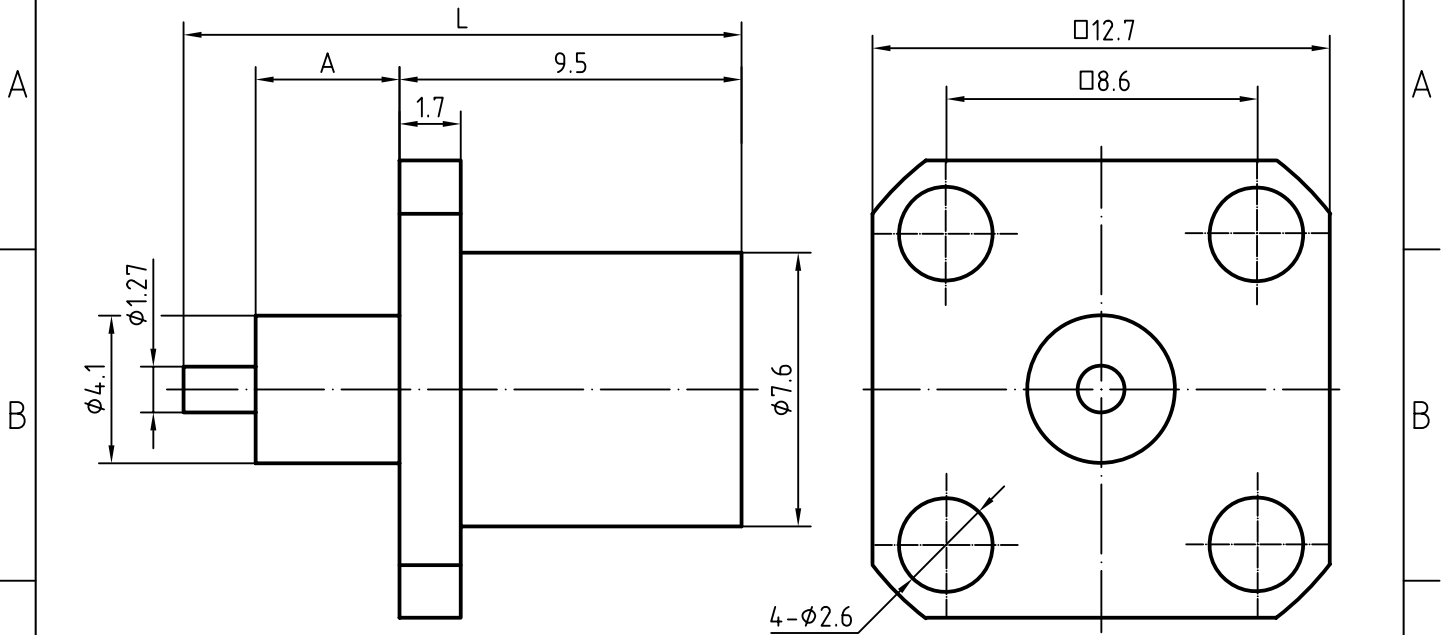
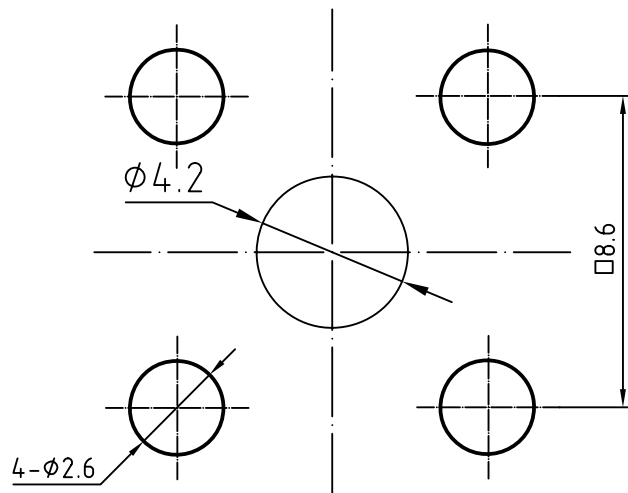


DRAWING



ITEM	PART No.	PRODUCT TYPE	A	L
1	192A-0001	BMA-KFD	8.4	21.9
2	192A-0002	BMA-KFD1	4.0	15.5
3	192A-0003	BMA-KFD2	3.0	14.5
4	192A-0004	BMA-KFD3	15.0	27.4

MOUNTING HOLE



4	1	Body	Brass/Gold plated	Gold 0.2um over Copper 2.0um
3	1	Insulator	PTFE	
2	1	Outer contact	Brass/Gold plated	Gold 0.2um over Copper 2.0um
1	1	Center contact	Beryllium copper/Gold plated	Gold 0.5um over Copper 2.0um

Designed by
Mingang Han

Checked by
Jinlong Gu

Approved by - date
Hongyu Du

File name
BMA-KFDX

Date
07.07.25

Scale
5 : 1

Amitron Electronics, Ltd.

BMA-KFDX

<http://www.amel.ru>

Edition
1.0

Sheet
1/1

CHARACTERISTICS

DESCRIPTION: BMA Type female FL connector

Electrical data:

<i>Impedance:</i>	50 ohm
<i>Frequency range:</i>	DC to 6GHz
<i>VSWR:</i>	$\leq 1.05 + 0.03Xf[\text{GHz}]$
<i>Insertion loss:</i>	$\leq 0.05X \sqrt{f[\text{GHz}]} \text{ dB, BMA-KFD, KFD1, KFD2}$ $\leq 0.08X \sqrt{f[\text{GHz}]} \text{ dB, BMA-KFD3}$
<i>Insulation resistance:</i>	$\geq 5000M\Omega$
<i>Test voltage:</i>	480V rms
<i>Contact resistance:</i>	
1). <i>Centre contact:</i>	3.0 m Ω
2). <i>Outer conductor:</i>	2.0 m Ω

Environmental data:

<i>Temperature rating:</i>	-65 ° C to +125 ° C
<i>2002/95/EC (RoHS):</i>	Compliant

Mechanical data:

<i>Mating cycles:</i>	≥ 500
-----------------------	------------

Suitable cables:

N/A