

## Coaxial Cable Connector: N-JW5

### Description

N Type Right angle plug for flexible cable 5/50S+D

### Interface standards

MIL-C-39012

### Technical Data

#### Electrical Data

Impedance	50 $\Omega$
Interface frequency max.	6 GHz
VSWR	$1.08+0.06 \times f$ (GHz) max
Voltage rating	1000 V(rms)
Test voltage	1500 V(rms)
Contact resistance:	
Center conductor	$\leq 1.0\text{m } \Omega$
Out conductor	$\leq 0.2\text{m } \Omega$
Insulation resistance	$\geq 5000\text{M } \Omega$

#### Mechanical Data

Weight	60 g
Durability	500 Cycles

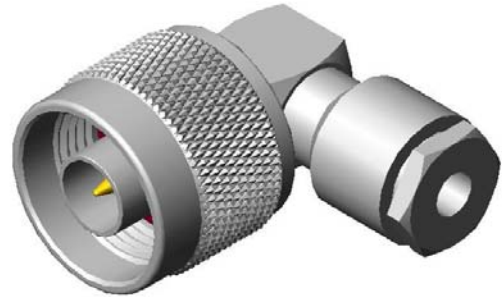
#### Environmental Data

Operating Temperature	-65 °C to 165 °C
-----------------------	------------------

#### Material Data

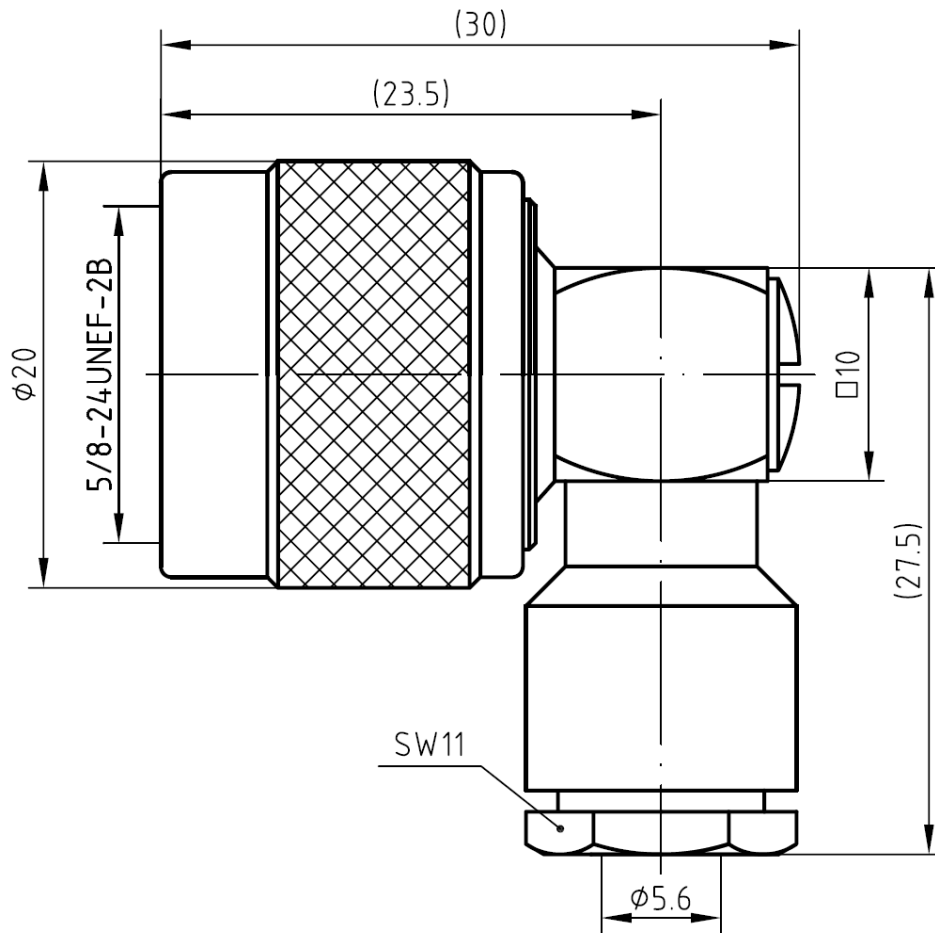
##### Piece Parts

Piece Parts	Material	Surface Plating( $\mu\text{m}$ )
Center contact	Brass	Gold 0.3 over Nickel 2.0
Body	Brass	Nickel 7.0 over copper 2.0
Gasket	Silicone Rubber	
Insulator	PTFE	
Other pieces	Brass	Nickel 7.0 over copper 2.0



## Coaxial Cable Connector: N-JW5

### Outline drawing



### Packaging

Standard

Other

40/Box=4 Bag

Contact us