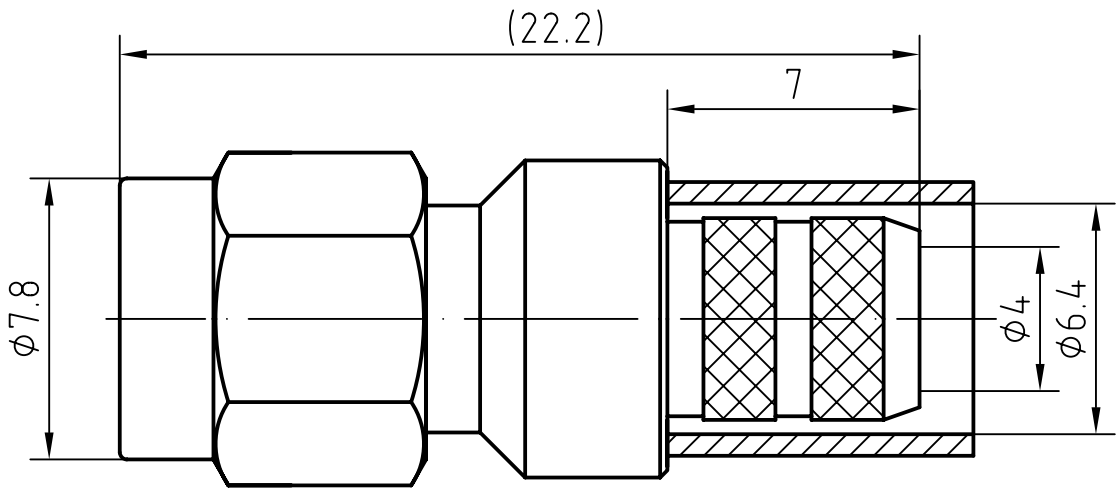
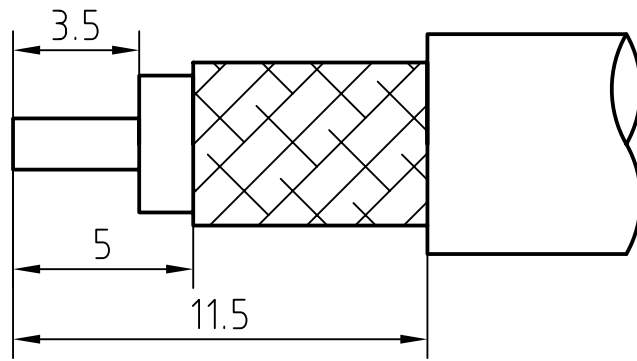


DRAWING



CABLE(LMR240,RG8X)



6	1	Crimp ferrule	Copper alloy/Nickel plated	
5	1	O ring	Silicon rubber	
4	1	Coupling nut	Brass/Gold plated	
3	1	Body	Brass/Gold plated	
2	1	Insulator	PFTE	
1	1	Center contact	Beryllium copper/Gold plated	
Itemref	Quantity	Title/Name, designation, material, dimension etc		Article No./Reference

Designed by Mingang Han	Checked by Jinlong GU	Approved by - date Hongyu Du	File name SMA-J240	Date 10.11.26	Scale 4 : 1
----------------------------	--------------------------	---------------------------------	-----------------------	------------------	----------------

Amitron Electronics, Ltd.	SMA-J240			
	<a href="http://www.amel.ru">http://www.amel.ru</a>	Edition 2.0	Sheet 1/1	

## CHARACTERISTICS

DESCRIPTION: SMA Type male connector

### Electrical data:

<i>Impedance:</i>	<i>50 ohm</i>
<i>Frequency range:</i>	<i>DC to 6 GHz</i>
<i>VSWR:</i>	<i><math>\leq 1.05 + 0.04 \times f</math> [GHz], DC to 6 GHz</i>
<i>Insertion loss:</i>	<i><math>\leq 0.05 \times \sqrt{f}</math> [GHz] dB</i>
<i>Insulation resistance:</i>	<i><math>\geq 5000M\Omega</math></i>
<i>Test voltage:</i>	<i>1000 V rms</i>
<i>Working voltage:</i>	<i>500 V rms</i>
<i>Contact resistance:</i>	
1). <i>Centre contact:</i>	<i>3.0 m<math>\Omega</math></i>
2). <i>Outer conductor:</i>	<i>2.0 m<math>\Omega</math></i>
<i>Power handling</i> (at 20 °C, sea level, VSWR 1.0)	<i><math>\leq 200</math> W @ 2 GHz;</i>
<i>RF-leakage</i>	<i><math>\geq 100</math> dB up to 1 GHz</i>

*- Limitations are possible due to the used cable type -*

### Environmental data:

<i>Temperature rating:</i>	<i>-55 ° C to 155 ° C</i>
<i>2002/95/EC (RoHS):</i>	<i>Compliant</i>

### Mechanical data:

<i>Mating cycles:</i>	<i><math>\geq 500</math></i>
<i>Coupling nut retention</i>	<i><math>\geq 270</math> N</i>
<i>Coupling test torque:</i>	<i><math>\leq 1.1</math> Nm</i>
<i>Recommended torque:</i>	<i>0.46 Nm to 0.69 Nm</i>

### Suitable cables:

*LMR240*

Amitron Electronics, Ltd.

<http://www.amel.ru>

e-mail: [mailbox@amel.ru](mailto:mailbox@amel.ru)