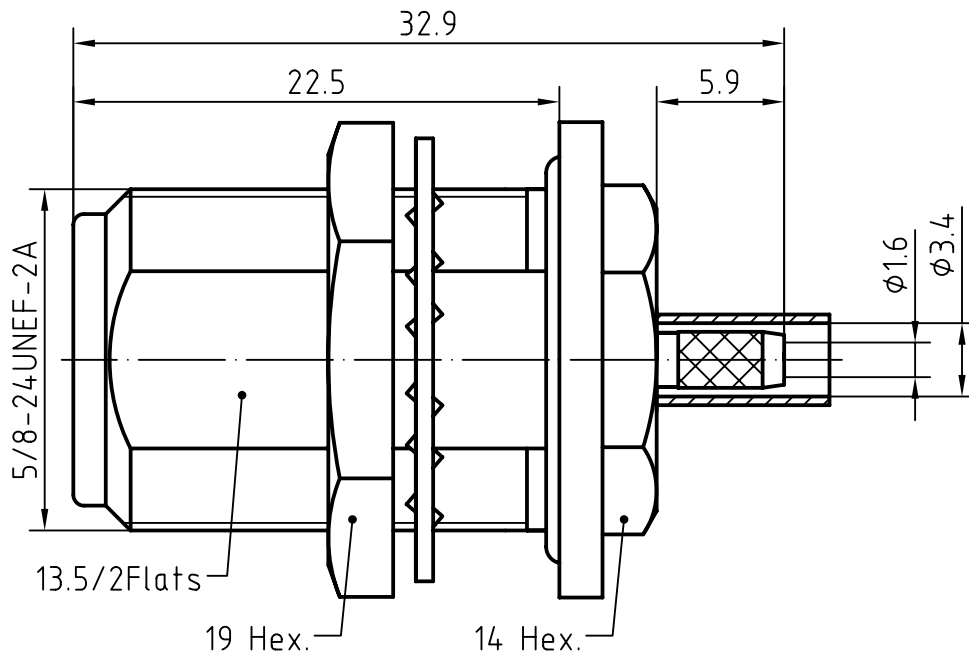
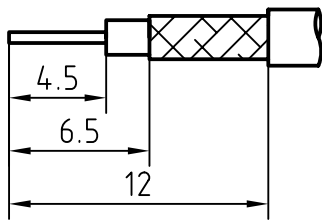


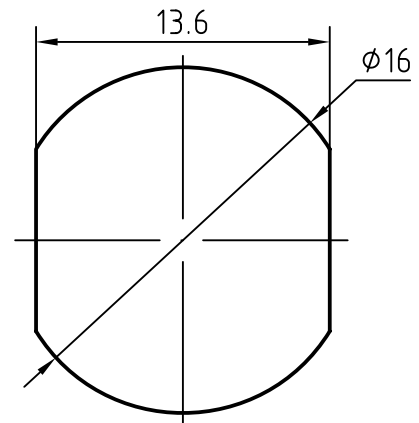
DRAWING



CABLE(RG316D)



MOUNTING HOLE



5	1	Washer	Phosphor bronze/Nickel plated	Nickel 5.0um over Copper 2.0um
4	1	Nut	Brass/Nickel plated	Nickel 5.0um over Copper 2.0um
3	1	Body	Brass/Nickel plated	Nickel 5.0um over Copper 2.0um
2	1	Insulator	PTFE	
1	1	Center contact	Phosphor bronze/Gold plated	Gold 0.3um over Nickel 2.0um
Itemref	Quantity	Title/Name, designation, material, dimension etc		Article No./Reference

Designed by \_\_\_\_\_ Checked by \_\_\_\_\_ Approved by - date \_\_\_\_\_ File name \_\_\_\_\_ Date \_\_\_\_\_ Scale \_\_\_\_\_

Amitron Electronics, Ltd.

N-KY3DY

<http://www.amel.ru>

Edition \_\_\_\_\_ Sheet \_\_\_\_\_

## CHARACTERISTICS

DESCRIPTION: N Type female BH connector

### Electrical data:

<i>Impedance:</i>	50 ohm
<i>Frequency range:</i>	DC to 6.0 GHz
<i>VSWR:</i>	$\leq 1.15 + 0.04 * f$
<i>Insertion loss:</i>	$\leq 0.35\text{dB}$
<i>Insulation resistance:</i>	$\geq 5000\text{M}\Omega$
<i>Test voltage:</i>	2500 V rms
<i>Working voltage:</i>	1400 V rms
<i>Contact resistance:</i>	
1). Centre contact:	1.0 m $\Omega$
2). Outer conductor:	0.25 m $\Omega$
<i>Power handling (at 20 ° C, sea level, VSWR 1.0):</i>	1000 W @ 1 GHz, 700 W @ 2 GHz
<i>RF-leakage</i>	$\geq 128\text{ dB up to }1\text{ GHz}$

### Environmental data:

<i>Temperature rating:</i>	-65° C to +165° C
<i>2002/95/EC (RoHS):</i>	Compliant

### Mechanical data:

<i>Mating cycles:</i>	$\geq 500$
<i>Center contact captivation:</i>	$\geq 28\text{ N(axial)}$
<i>Coupling nut retention :</i>	$\geq 450\text{ N}$
<i>Coupling test torque:</i>	$\leq 1.7\text{ Nm}$
<i>Recommended torque:</i>	0.70 Nm to 1.10 Nm

### Suitable cables:

RG316D