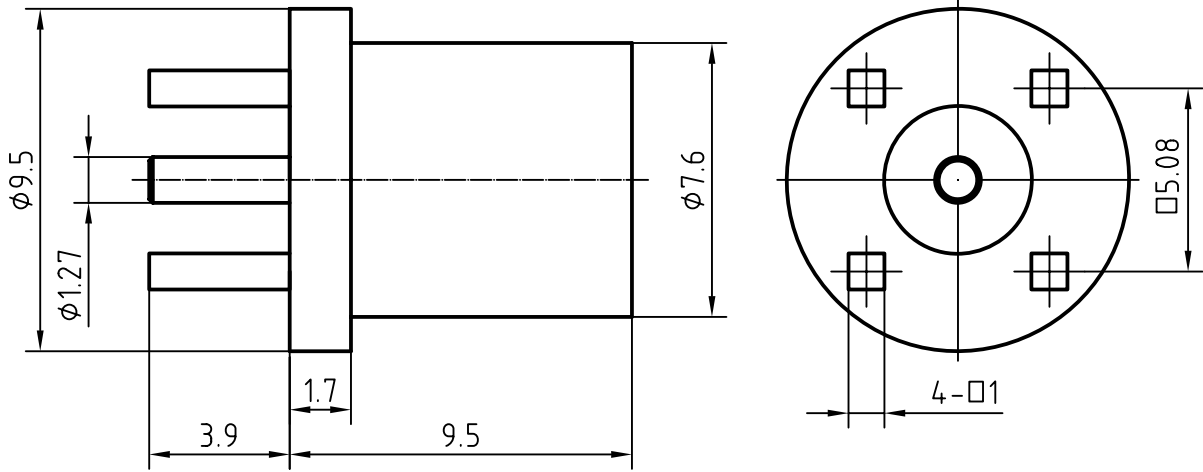
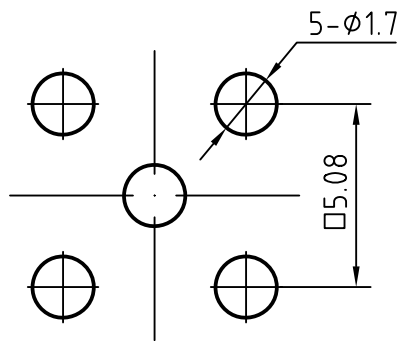


DRAWING



MOUNTING HOLE



4	1	Spring body	Beryllium bronze/Gold plated	Gold 0.2um over Nickel 2.0um
3	1	Body	Brass/Gold plated	Gold 0.2um over Nickel 2.0um
2	1	Insulator	PTFE	
1	1	Center contact	Beryllium bronze/Gold plated	Gold 0.5um over Nickel 2.0um

Designed by Mingang Han	Checked by Jinlong Gu	Approved by - date Hongyu Du	File name BMA-KHD	Date 09.05.18	Scale 5 : 1
----------------------------	--------------------------	---------------------------------	----------------------	------------------	----------------

Amitron Electronics, Ltd.	BMA-KHD			
	http://www.amel.ru	Edition 1.0	Sheet 1/1	

CHARACTERISTICS

DESCRIPTION: BMA Type female connector for PCB

Electrical data:

<i>Impedance:</i>	<i>50 ohm</i>
<i>Frequency range:</i>	<i>DC to 18 GHz</i>
<i>VSWR:</i>	$\leq 1.05 + 0.05Xf$ [GHz]
<i>Insertion loss:</i>	$\leq 0.05X\sqrt{f}$ [GHz] dB
<i>Insulation resistance:</i>	$\geq 5000M\Omega$
<i>Test voltage:</i>	<i>750 V rms</i>
<i>Working voltage:</i>	<i>350 V rms</i>
<i>Contact resistance:</i>	
1). <i>Centre contact:</i>	<i>3.0 mΩ</i>
2). <i>Outer conductor:</i>	<i>2.0 mΩ</i>

Environmental data:

<i>Temperature rating:</i>	<i>-65 ° C to +125 ° C</i>
<i>2002/95/EC (RoHS):</i>	<i>Compliant</i>

Mechanical data:

<i>Mating cycles:</i>	≥ 500
-----------------------	------------

Suitable cables:

N/A