

DRAWING

A

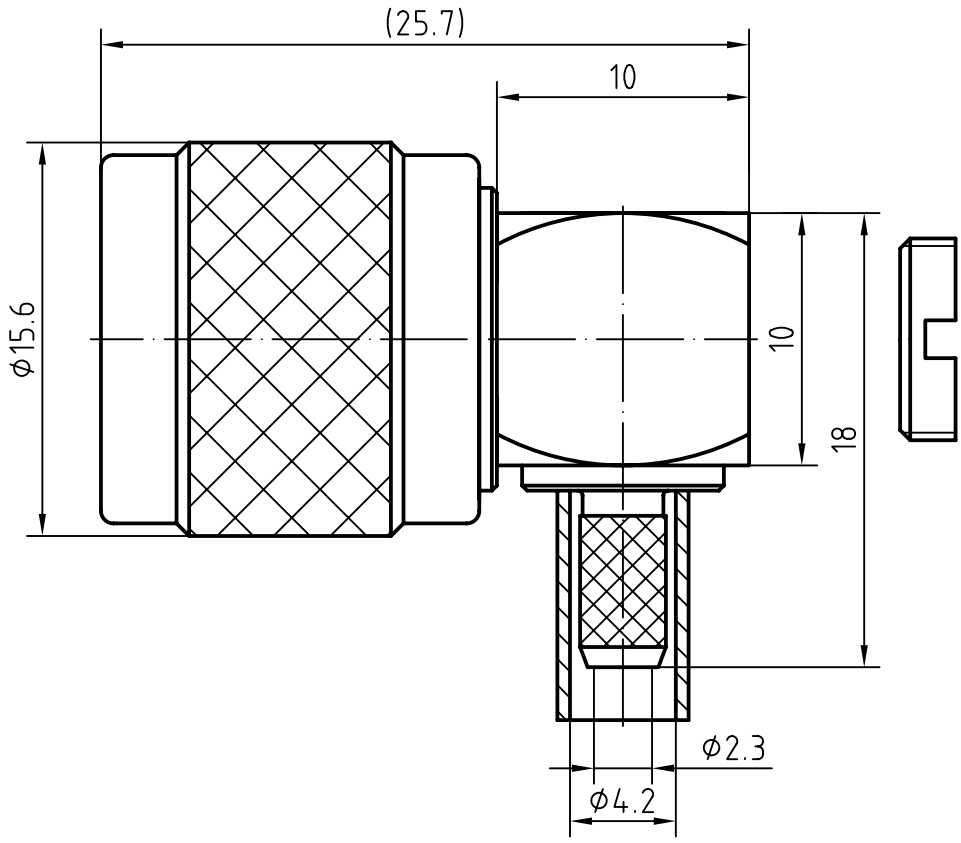
A

B

B

C

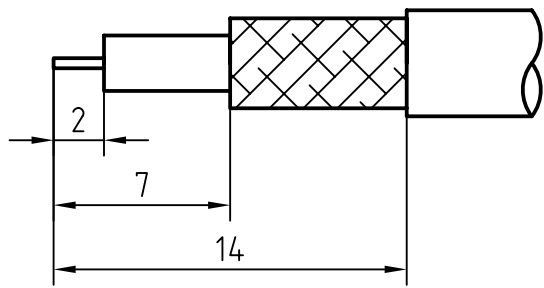
C



CABLE(SFF-50-2-1)

D

D



E

E

6	1	Ferrule	Copper/Nickel plated	Nickel 5um over Copper 2um
5	1	O ring	Silicone rubber	
4	1	Coupling nut	Brass/Nickel plated	Nickel 5um over Copper 2um
3	1	Body	Brass/Nickel plated	Nickel 5um over Copper 2um
2	1	Insulator	PTFE	
1	1	Center contact	Brass/Gold plated	Gold 0.2um over Nickel 2um
Itemref	Quantity	Title/Name, designation, material, dimension etc		Article No./Reference

F

F

Designed by  
Mingang Han

Checked by  
Jinlong GU

Approved by - date  
Hongyu Du

File name  
TNC-JW4Y

Date  
07.01.26

Scale  
4 : 1

Amitron Electronics, Ltd.

TNC-JW4Y

<http://www.amel.ru>

Edition  
1.0

Sheet  
1/1

1

4

## CHARACTERISTICS

DESCRIPTION: TNC Type male R/A connector

### Electrical data:

<i>Impedance:</i>	<i>50 ohm</i>
<i>Frequency range:</i>	<i>DC to 10 GHz</i>
<i>VSWR:</i>	$\leq 1.10 + 0.03 \times f[\text{GHz}]$
<i>Insertion loss:</i>	$\leq 0.10 \times \sqrt{f[\text{GHz}]} \text{ dB}$
<i>Insulation resistance:</i>	$\geq 5000\text{M}\Omega$
<i>Test voltage:</i>	<i>1500 V rms</i>
<i>Working voltage:</i>	<i>500 V rms</i>
<i>Contact resistance:</i>	
1). <i>Centre contact:</i>	<i>1.5 m<math>\Omega</math></i>
2). <i>Outer conductor:</i>	<i>1.0 m<math>\Omega</math></i>
<i>Power handling (at 20 ° C, sea level, VSWR 1.0):</i>	$\leq 80 \text{ W @ } 2 \text{ GHz}$

### Environmental data:

<i>Temperature rating:</i>	<i>-65 ° C to +165 ° C</i>
<i>2002/95/EC (RoHS):</i>	<i>Compliant</i>

### Mechanical data:

<i>Mating cycles:</i>	$\geq 500$
<i>Coupling test torque:</i>	$\leq 1.7 \text{ Nm}$
<i>Recommended torque:</i>	<i>0.46 Nm to 0.69 Nm</i>

### Suitable cables:

*SFF-50-2-1*