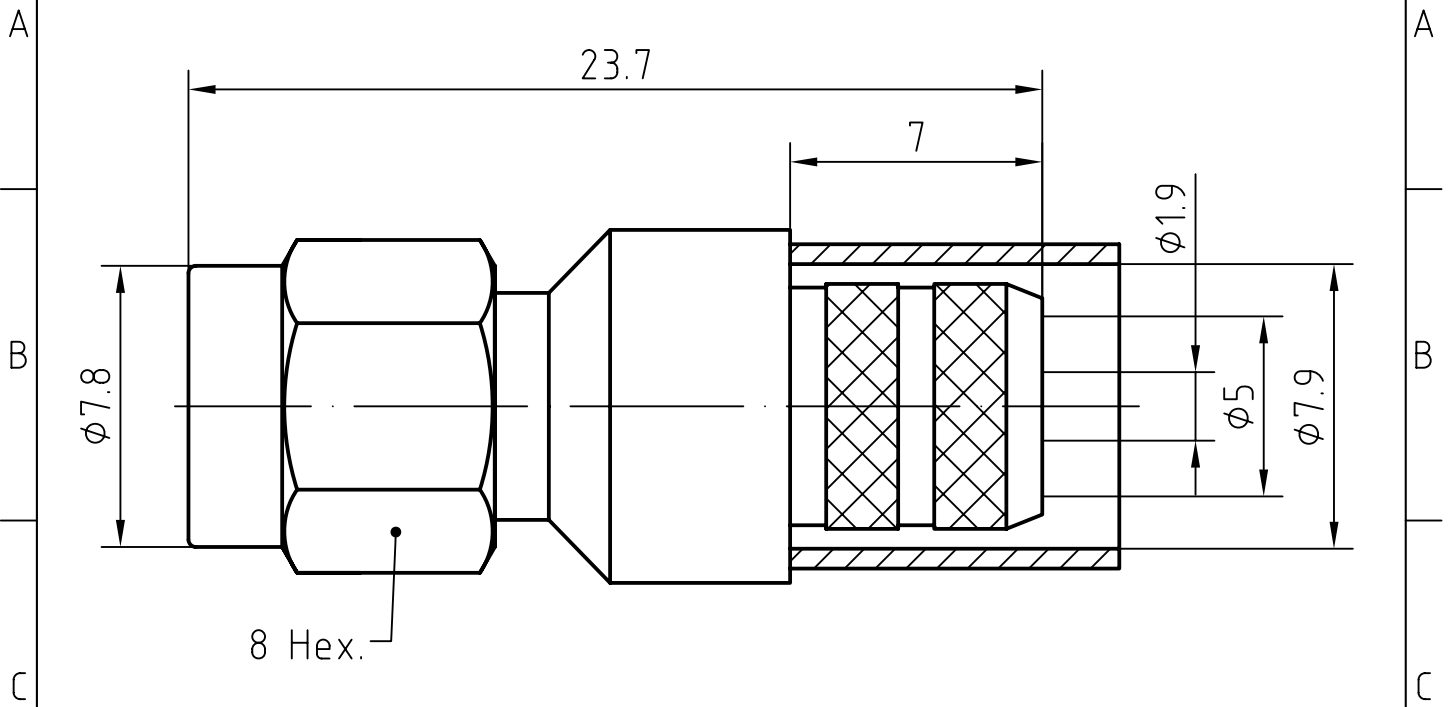
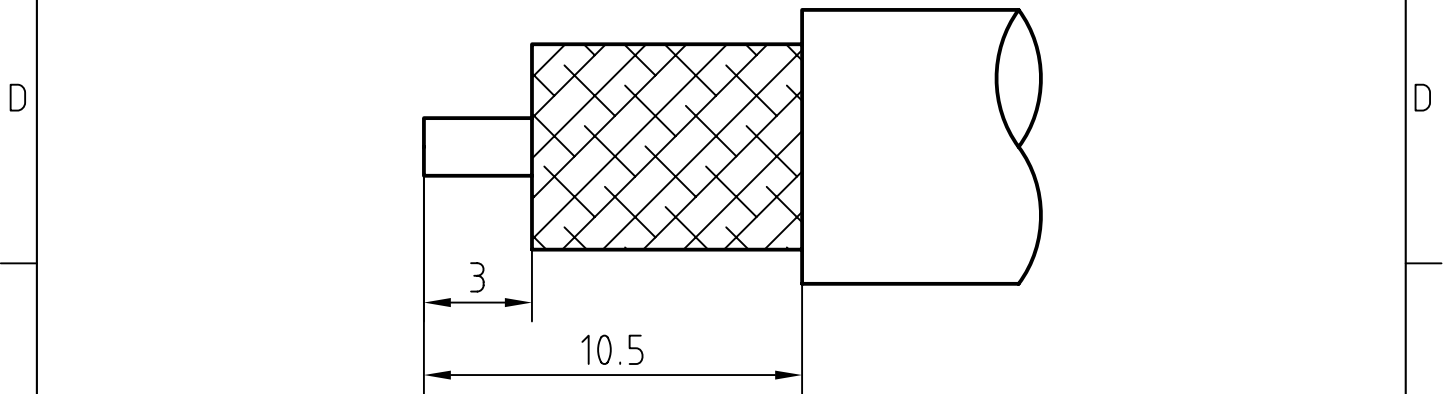


DRAWING



CABLE(LMR300)



6	1	Crimp ferrule	Coper alloy/Nickel	
5	1	O ring	Silicon ruber	
4	1	Coupling nut	Brass/Gold plated	
3	1	Body	Brass/Gold plated	
2	1	Insulator	PFTE	
1	1	Center contact	Brass/Gold plated	
Itemref	Quantity	Title/Name, designation, material, dimension etc		Article No./Reference

Designed by Mingang Han	Checked by Jinlong GU	Approved by - date Hongyu Du	File name SMA-J300	Date 06.05.24	Scale 5 : 1
----------------------------	--------------------------	---------------------------------	-----------------------	------------------	----------------

Amitron Electronics, Ltd.

SMA-J300

<http://www.amel.ru>

Edition 1.0	Sheet 1/1
----------------	--------------

CHARACTERISTICS

DESCRIPTION: SMA Type male connector

Electrical data:

Impedance:	50 ohm
Frequency range:	DC to 12.4 GHz
VSWR:	$\leq 1.15 + 0.02 \times f$ [GHz]
Insertion loss:	$\leq 0.05 \times \sqrt{f}$ [GHz] dB
Insulation resistance:	$\geq 5000\text{M}\Omega$
Test voltage:	1000 V rms
Working voltage:	500 V rms
Contact resistance:	
1). Centre contact:	3.0 m Ω
2). Outer conductor:	2.0 m Ω
Power handling (at 20 °C, sea level, VSWR 1.0)	≤ 200 W @ 2 GHz;
RF-leakage	≥ 100 dB up to 1 GHz

- Limitations are possible due to the used cable type -

Environmental data:

Temperature rating:	-65 °C to 165 °C
2002/95/EC (RoHS):	Compliant

Mechanical data:

Mating cycles:	≥ 500
Coupling nut retention	≥ 270 N
Coupling test torque:	≤ 1.1 Nm
Recommended torque:	0.46 Nm to 0.69 Nm

Suitable cables:

LMR300

Amitron Electronics, Ltd.

<http://www.amel.ru>

e-mail: mailbox@amel.ru