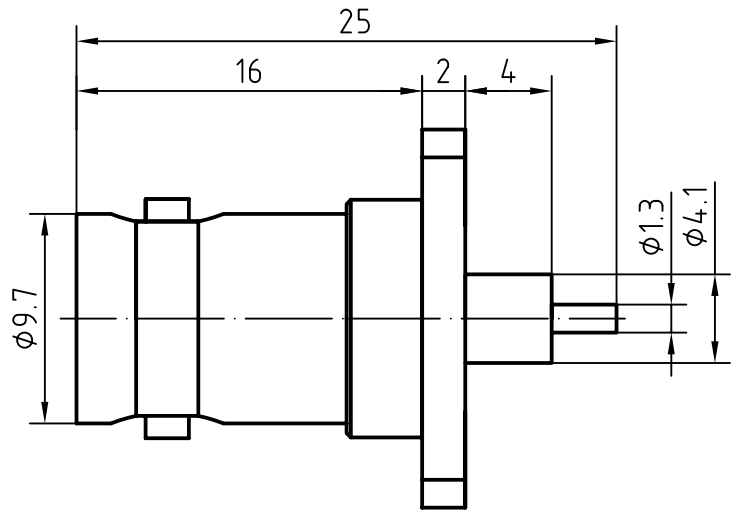
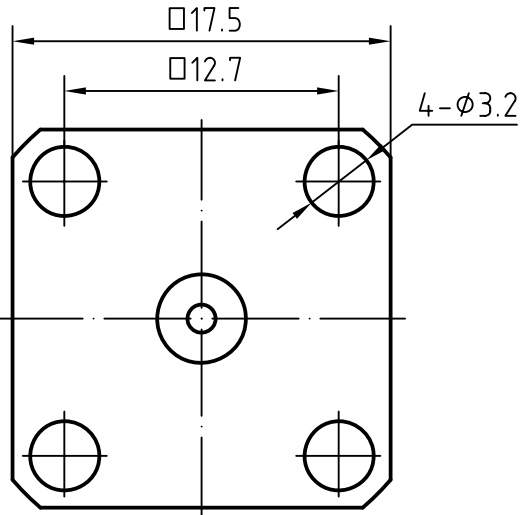


DRAWING

A

A



B

B

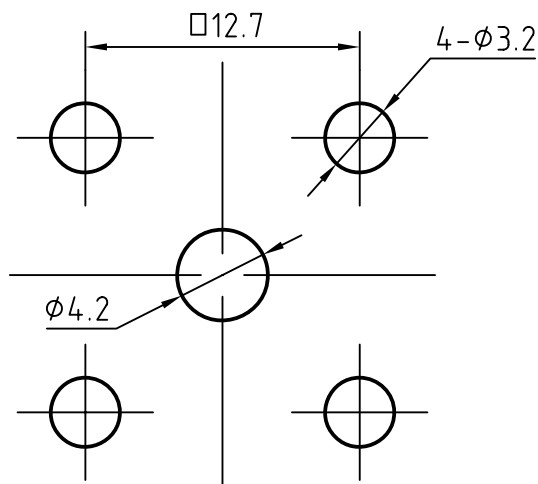
C

C

MOUNTING HOLE

D

D



E

E

3	1	Body	Brass/Nickel plated	Nickel 5um over Copper 2um
2	1	Insulator	PTFE	
1	1	Centor contactor	Phosphor bronze/Gold plated	Gold 0.2um over Nickel 2um
Itemref	Quantity	Title/Name, designation, material, dimension etc		Article No./Reference

F

F

Designed by
Mingang Han

Checked by
Jinlong GU

Approved by - date
Hongyu Du

File name
BNC-KFD

Date
12.07.10

Scale
3 : 1

Amitron Electronics, Ltd.

BNC-KFD

<http://www.amel.ru>

Edition
1.0

Sheet
1/1

1

4

CHARACTERISTICS

DESCRIPTION: BNC Type female FL connector

Electrical data:

<i>Impedance:</i>	50 ohm
<i>Frequency range:</i>	DC to 4 GHz
<i>VSWR:</i>	$\leq 1.06 + 0.03Xf[\text{GHz}]$
<i>Insertion loss:</i>	$\leq 0.05 \times \sqrt{f[\text{GHz}]} \text{ dB}$
<i>Insulation resistance:</i>	$\geq 5000\text{M}\Omega$
<i>Test voltage:</i>	1500 V rms
<i>Working voltage:</i>	500 V rms
<i>Contact resistance:</i>	
1). Centre contact:	1.5 m Ω
2). Outer conductor:	1.0 m Ω
<i>RF Leakage :</i>	$\leq -(57-f[\text{GHz}])\text{dB}$

Environmental data:

<i>Temperature rating:</i>	-55 ° C to +165 ° C
<i>2002/95/EC (RoHS):</i>	Compliant

Mechanical data:

<i>Mating cycles:</i>	≥ 500
<i>Center contact retention:</i>	$\geq 18 \text{ N(axial)}$
<i>Torque:</i>	$\geq 2.8\text{N.cm}$

Suitable cables:

N/A