

Coaxial Cable Connector: SSMB-JB2

Description

SSMB Straight cable jack solder type cable .086

Interface standards

MIL-C-39012

Technical Data

Electrical Data

Impedance	50 Ω
Interface frequency max.	3 GHz
VSWR	1.05+0.05 \times f(GHz) max
Voltage rating	170 V(rms)
Test voltage	500 V(rms)
Contact resistance:	
Center conductor	\leq 5m Ω
Out conductor	\leq 2.5m Ω
Insulation resistance	\geq 1000M Ω

Mechanical Data

Weight	2.4 g
Durability	500 Cycles

Environmental Data

Operating Temperature	-65 $^{\circ}$ C to 165 $^{\circ}$ C
-----------------------	--------------------------------------

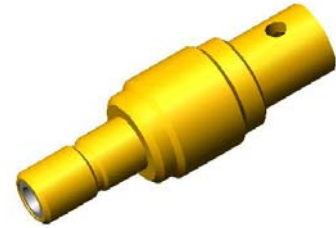
Material Data

Piece Parts

Center contact	Brass
Body	Brass
Insulator	PTFE

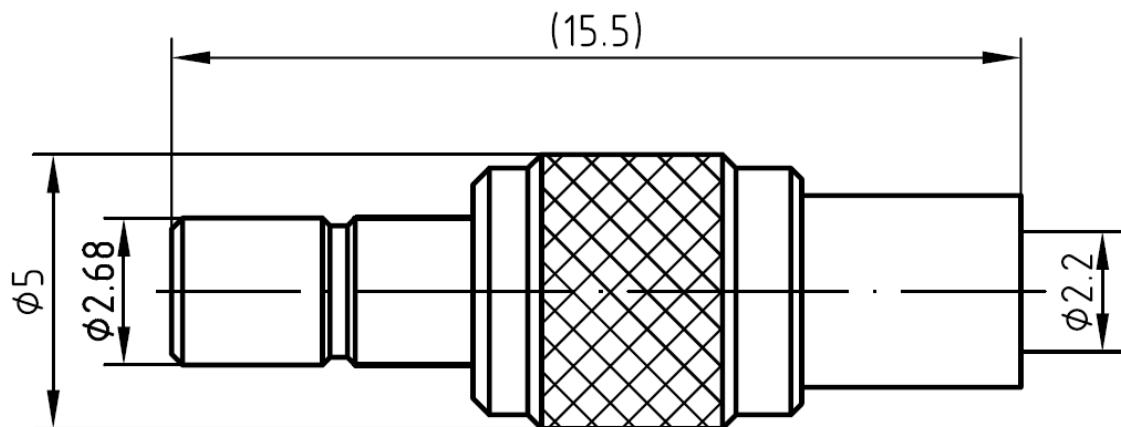
Surface Plating(μ m)

Gold 0.5 over Nickel 2.0
Gold 0.2 over Nickel 2.0



Coaxial Cable Connector: SMB-JB2

Outline drawing



Packaging

Standard

200/Box=20 Bag

Other

Contact us