

Coaxial Right Angle Connector: N-JWB3

Description

N Type Right angle plug for cable .141

Interface standards

MIL-C-39012

Technical Data

Electrical Data

Impedance	50 Ω
Interface frequency max.	8 GHz
VSWR	1.08+0.05 × f (GHz) max
Voltage rating	1000 V(rms)
Test voltage	1500 V(rms)
Contact resistance:	
Center conductor	≤1.0m Ω
Out conductor	≤0.2m Ω
Insulation resistance	≥5000M Ω

Mechanical Data

Weight	41 g
Durability	500 Cycles

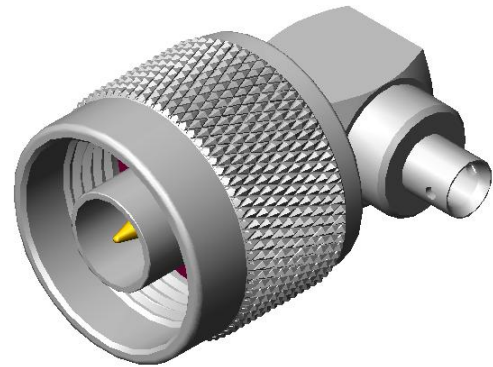
Environmental Data

Operating Temperature	-65 °C to 165 °C
-----------------------	------------------

Material Data

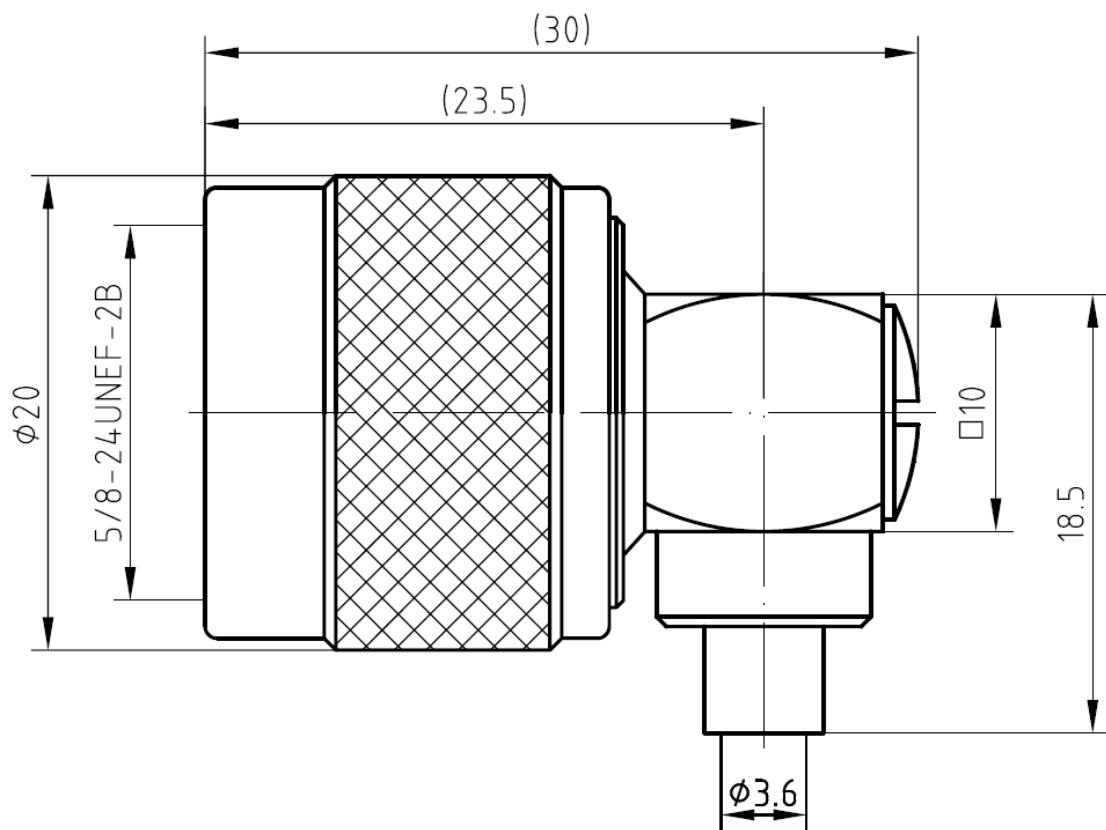
Piece Parts

Piece Parts	Material	Surface Plating(μ m)
Center contact	Brass	Gold 0.3 over Nickel 2.0
Body	Brass	Nickel 7.0 over copper 2.0
Gasket	Silicone Rubber	
Insulator	PTFE	
Other pieces	Brass	Nickel 7.0 over copper 2.0 or White copper 4.0 over copper 1.0



Coaxial Right Angle Connector: N-JWB3

Outline drawing



Packaging

Standard

Other

40/Box=4 Bag

Contact us