

## Coaxial Attenuator: SMA 2W 30dB 18G (ATR-50SMAMF18-030-2)

Attenuator, SMA(male)-SMA (female), power 2 Watt, frequency 18 GHz , rejection 30 db

### Technical Data

#### Electrical Data

Impedance	50 $\Omega$
Fr. Range	DC~18GHz
VSWR	1.35 max
Average Power	2 W
Peak Power	0.5 KW
Atten&Accuracy	30 $\pm$ 1dB
Voltage rating	350 V(rms)
Test voltage	750 V(rms)
Contact resistance:	
Center conductor	$\leq$ 3m $\Omega$
Out conductor	$\leq$ 2m $\Omega$
Insulation resistance	$\geq$ 5000M $\Omega$

#### Mechanical Data

Connector Type:	SMA
Weight	10 g
Durability	500 Cycles

#### Environmental Data

Operating Temperature	-55 $^{\circ}$ C to +125 $^{\circ}$ C
-----------------------	---------------------------------------

#### Material Data

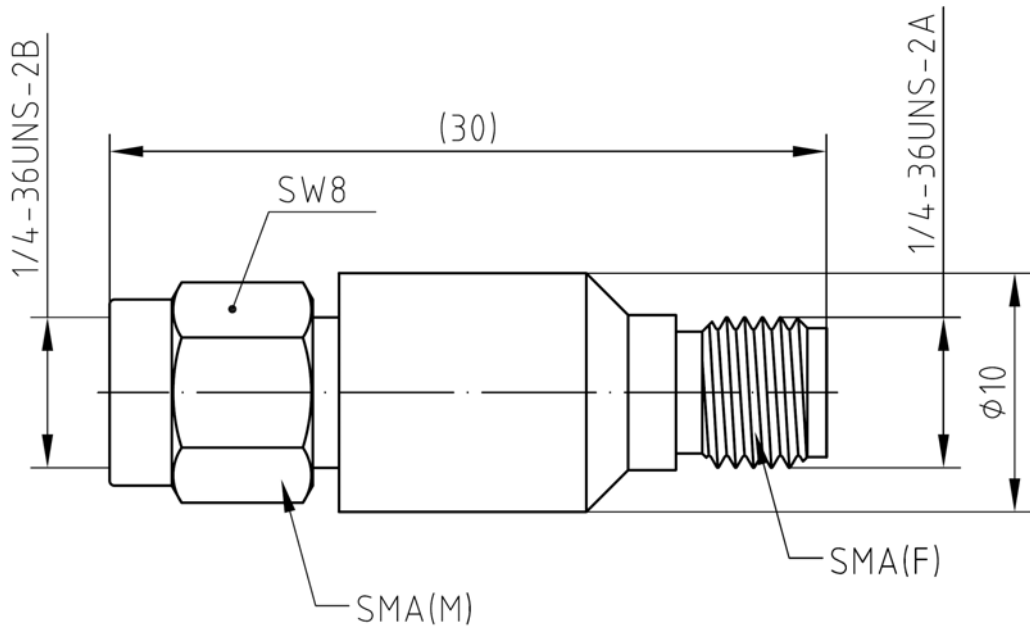
##### Piece Parts

	Material	
Body	Brass	Gold 0.2 over Nickel 2.0
Center contact	Beryllium copper	Gold 0.5 over Nickel 2.0
Insulator	PTFE	



# Coaxial Attenuator: SMA 2W 30dB 18G (ATR-50SMAMF18-030-2)

## Outline drawing



## Packaging

Standard

Other

100/Box=10 Bag

Contact us