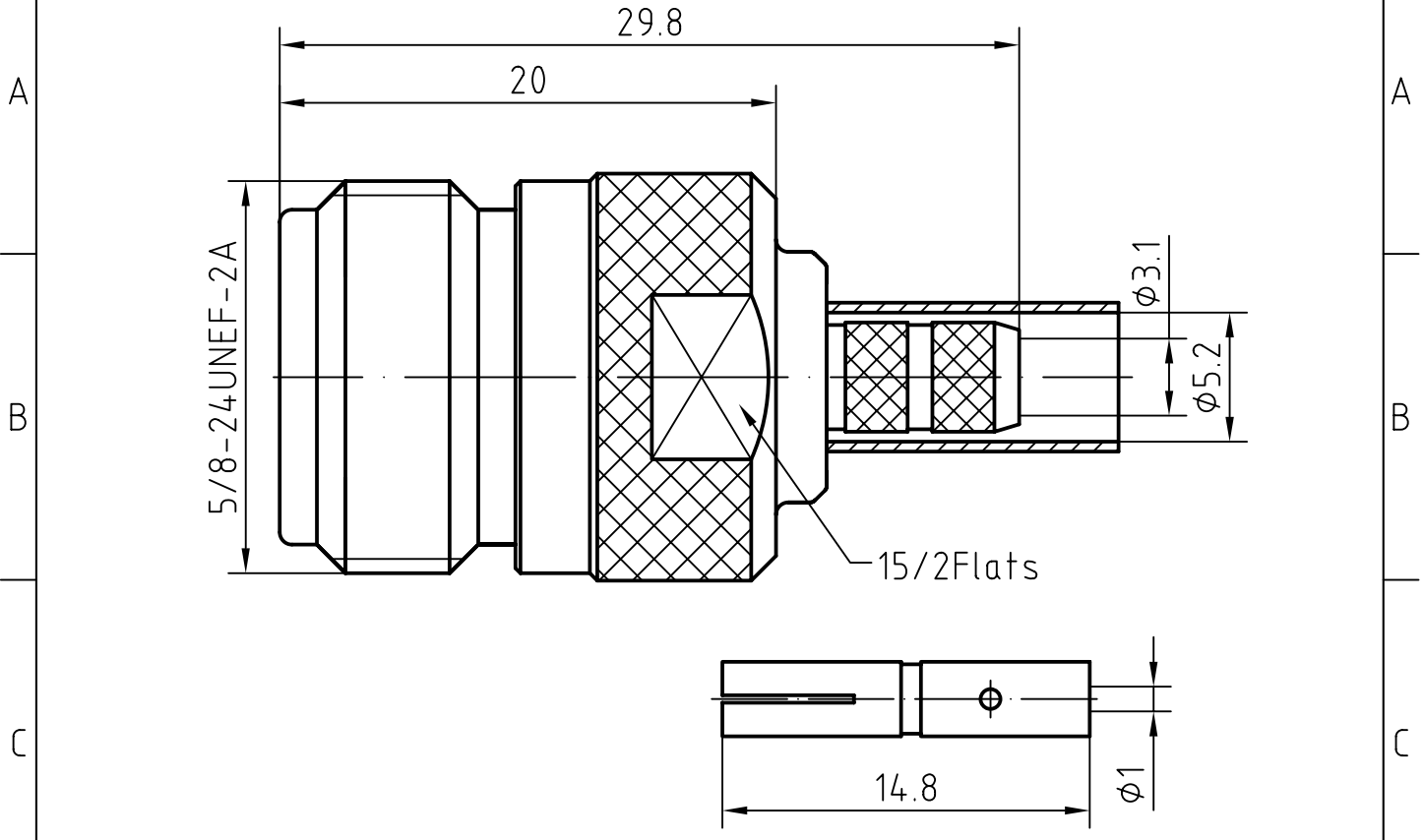
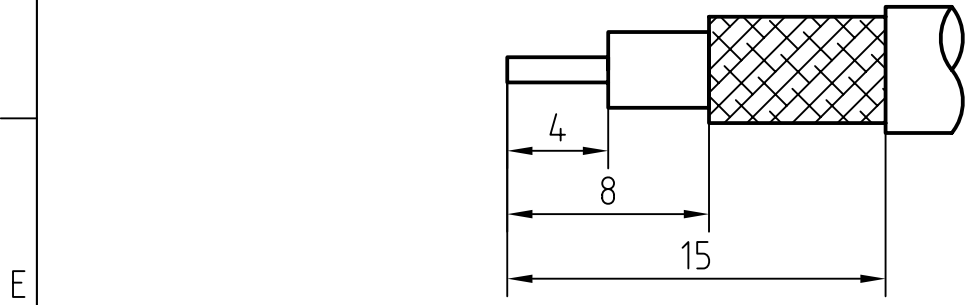


DRAWING



CABLE(LMR195)



3	1	Body	Brass/Nickel plated	Nickel 7.0 over copper 2.0
2	1	Insulator	PTFE	
1	1	Center contact	Phosphor bronze/Gold plated	Gold 0.2 over Nickel 2.0

Designed by Mingang Han	Checked by Jinlong Gu	Approved by - date Hongyu Du	File name N-K195Y	Date 08.05.16	Scale 1 : 1
----------------------------	--------------------------	---------------------------------	----------------------	------------------	----------------

<p>Amitron Electronics, Ltd.</p>	<p>N-K195Y</p>		
	<p>http://www.amel.ru</p>	<table border="1"> <tr> <td>Edition 1.0</td> <td>Sheet 1/1</td> </tr> </table>	Edition 1.0
Edition 1.0	Sheet 1/1		

CHARACTERISTICS

DESCRIPTION: N Type female str connector

Electrical data:

<i>Impedance:</i>	50 ohm
<i>Frequency range:</i>	DC to 11 GHz
<i>VSWR:</i>	$\leq 1.05 + 0.06 \times f$ [GHz], DC-6GHz
<i>Insertion loss(LMR195):</i>	≤ 0.25 dB, DC-6GHz
<i>Insulation resistance:</i>	≥ 5000 M Ω
<i>Test voltage:</i>	2500 V rms
<i>Working voltage:</i>	1400 V rms
<i>Contact resistance:</i>	
1). Centre contact:	1.0 m Ω
2). Outer conductor:	0.25 m Ω
<i>Power handling</i> (at 20 °C, sea level, VSWR 1.0):	1000 W @ 1 GHz 700 W @ 2 GHz
<i>RF-leakage:</i>	≥ 128 dB up to 1 GHz
<i>- Limitations are possible due to the used cable type -</i>	

Environmental data:

<i>Temperature rating:</i>	-65 ° C to +165 ° C
<i>52/95/EC (RoHS):</i>	Compliant

Mechanical data:

<i>Mating cycles:</i>	≥ 500
<i>Coupling nut retention:</i>	≥ 450 N
<i>Coupling test torque:</i>	≤ 1.7 Nm
<i>Recommended torque:</i>	0.7 Nm to 1.1 Nm

Suitable cables:

LMR195