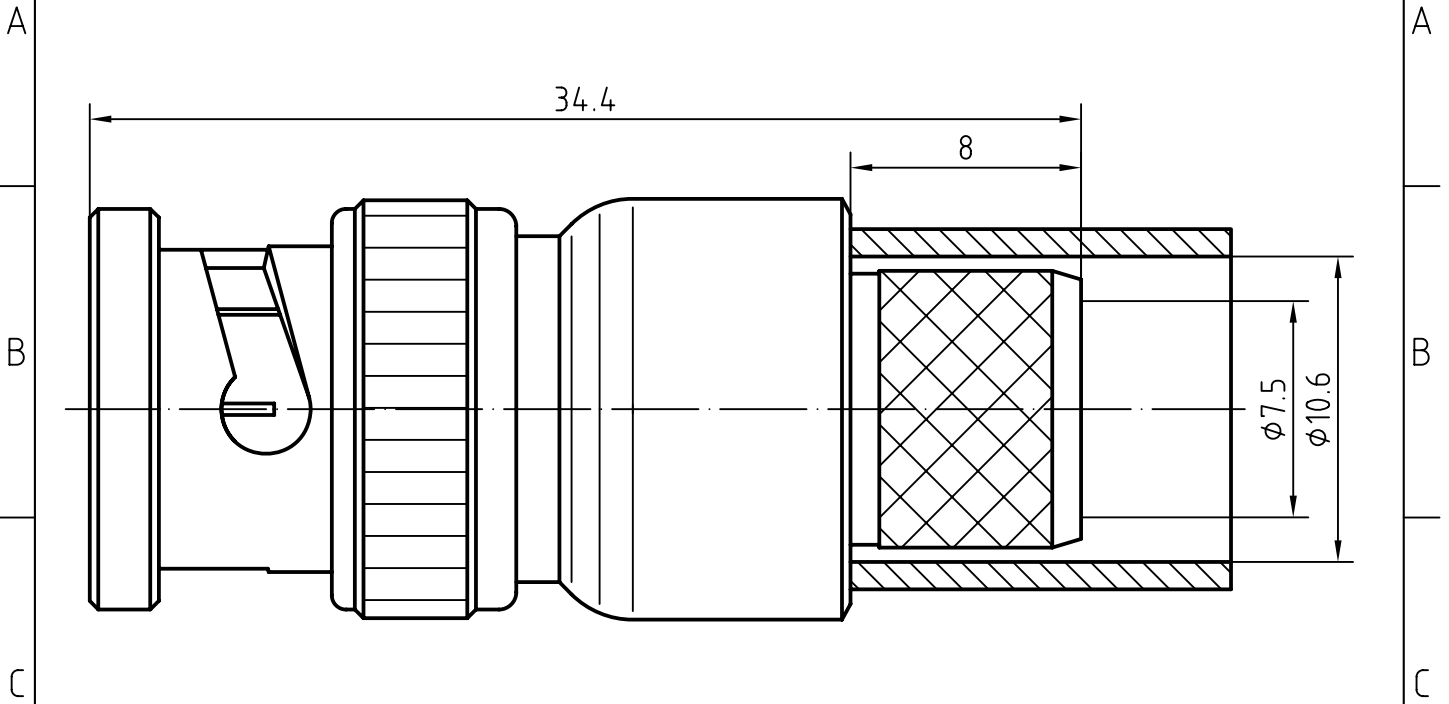
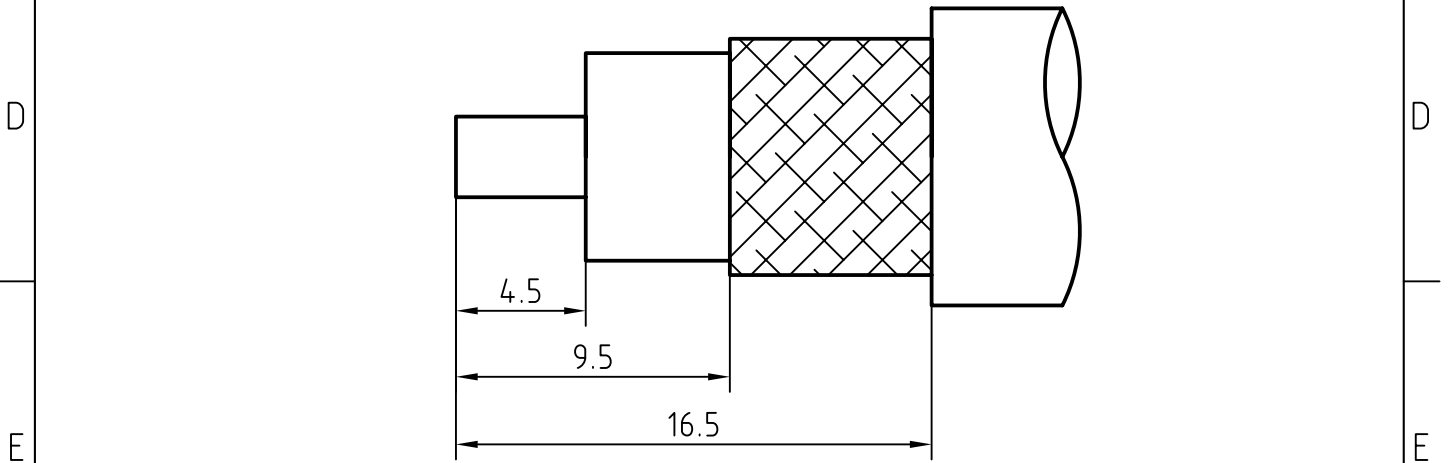


DRAWING



CABLE(LMR400)



5	1	Gasket	Silicone rubber	
4	1	Coupling nut	Brass/Nickel plated	Nickel 7.0 over Copper 2.0
3	1	Body	Brass/Nickel plated	Nickel 7.0 over Copper 2.0
2	1	Insulator	PTFE	
1	1	Center contact	Brass/Gold plated	Gold 0.2 over Nickel 2.0
Itemref	Quantity	Title/Name, designation, material, dimension etc		Article No./Reference

Designed by Mingang Han	Checked by Jinlong GU	Approved by - date Hongyu Du	File name BNC-J400Y	Date 08.05.25	Scale 1 : 1
----------------------------	--------------------------	---------------------------------	------------------------	------------------	----------------

Amitron Electronics, Ltd	BNC-J400Y		
	http://www.amel.ru	Edition 1.0	Sheet 1/1

CHARACTERISTICS

DESCRIPTION: BNC Type male connector

Electrical characteristics:

<i>Impedance:</i>	50 ohm
<i>Frequency range:</i>	DC to 4 GHz
<i>Return loss:</i>	≥30dB, DC-1GHz ≥25dB, 1-2GHz ≥18dB, 2-4GHz
<i>Insertion loss:</i>	≤0.05 X √f [GHz] dB
<i>Insulation resistance:</i>	≥5000MΩ
<i>Test voltage:</i>	1500 V rms
<i>Working voltage:</i>	400 V rms
<i>Contact resistance:</i>	
1). <i>Centre contact:</i>	1.5 mΩ
2). <i>Outer conductor:</i>	1.0 mΩ
<i>Power handling</i> (at 20 °C, sea level, VSWR 1.0):	80 W @ 2 GHz
- Limitations are possible due to the used cable type -	

Environmental data:

<i>Temperature rating:</i>	-65 ° C to +165 ° C
<i>52/95/EC (RoHS):</i>	Compliant

Mechanical data:

<i>Mating cycles:</i>	≥500
<i>Center contact captivation:</i>	≥ 15 N(axial)

Assembly instruction:

A0004

Suitable cables:

LMR400