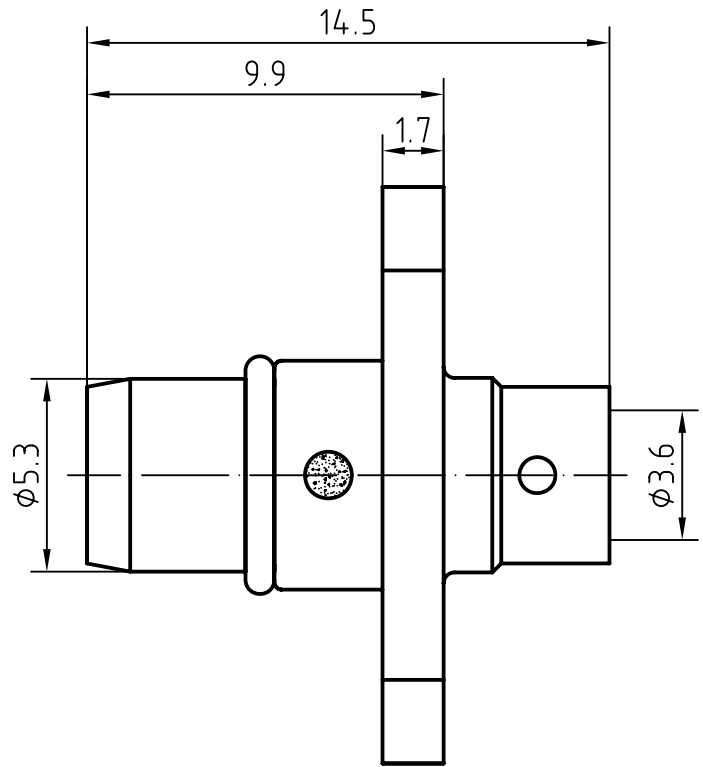
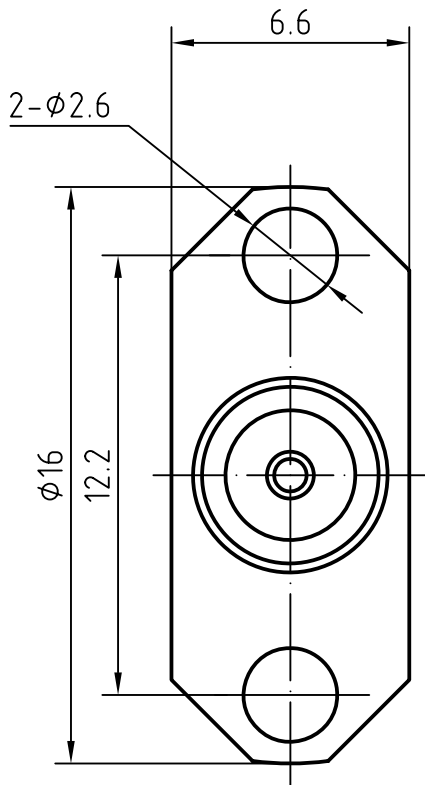
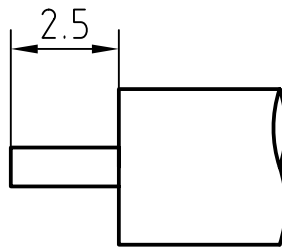


DRAWING



CABLE(UT141,RG402,670-141)



4	1	O ring	Silicone rubber	
3	1	Body	Brass/Gold plated	Gold 0.2 over Nickel 2.0
2	1	Insulator	PTFE	
1	1	Center contact	Beryllium copper/Gold plated	Gold 0.5 over Nickel 2.0
Itemref	Quantity	Title/Name, designation, material, dimension etc		Article No./Reference

Designed by Mingang Han	Checked by Jinlong GU	Approved by - date Hongyu Du	File name BMA-JFB3	Date 09.02.02	Scale 6 : 1
----------------------------	--------------------------	---------------------------------	-----------------------	------------------	----------------

Amitron Electronics, Ltd.

BMA-JFB3

<http://www.amel.ru>

Edition
1.0

Sheet
1/1

CHARACTERISTICS

DESCRIPTION: BMA Type male FL connector(2 holes)

Electrical data:

<i>Impedance:</i>	<i>50 ohm</i>
<i>Frequency range:</i>	<i>DC to 18 GHz</i>
<i>VSWR:</i>	$\leq 1.05 + 0.03Xf$ [GHz]
<i>Insertion loss:</i>	$\leq 0.05X \sqrt{f}$ [GHz] dB
<i>Insulation resistance:</i>	$\geq 5000M\Omega$
<i>Test voltage:</i>	<i>750 V rms</i>
<i>Working voltage:</i>	<i>480 V rms</i>
<i>Contact resistance:</i>	
1). <i>Centre contact:</i>	<i>3.0 mΩ</i>
2). <i>Outer conductor:</i>	<i>2.0 mΩ</i>

Environmental data:

<i>Temperature rating:</i>	<i>-65 ° C to +125 ° C</i>
<i>2002/95/EC (RoHS):</i>	<i>Compliant</i>

Mechanical data:

<i>Mating cycles:</i>	≥ 500
-----------------------	------------

Suitable cables:

UT141, RG402, 670-141