

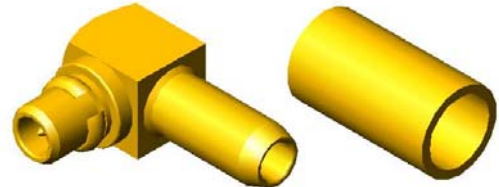
Coaxial Right Angle Connector: MMCX-JW2.5D

Description

MMCX Right angle plug for Flexible cable 2.5/50D

Interface standards

MIL-C-39012



Technical Data

Electrical Data

Impedance	50 Ω
Interface frequency max.	6 GHz
VSWR	1.10+0.05 \times f(GHz) max
Voltage rating	170 V(rms)
Test voltage	500 V(rms)
Contact resistance:	
Center conductor	≤ 10 m Ω
Out conductor	≤ 5 m Ω
Insulation resistance	≥ 5000 M Ω

Mechanical Data

Weight	0.5 g
Durability	500 Cycles

Environmental Data

Operating Temperature	-65 $^{\circ}$ C to 165 $^{\circ}$ C
-----------------------	--------------------------------------

Material Data

Piece Parts

Center contact	Beryllium copper
Spring contacts	Beryllium copper
Body	Brass
Crimp ferrules	Copper alloy
Insulator	PTFE

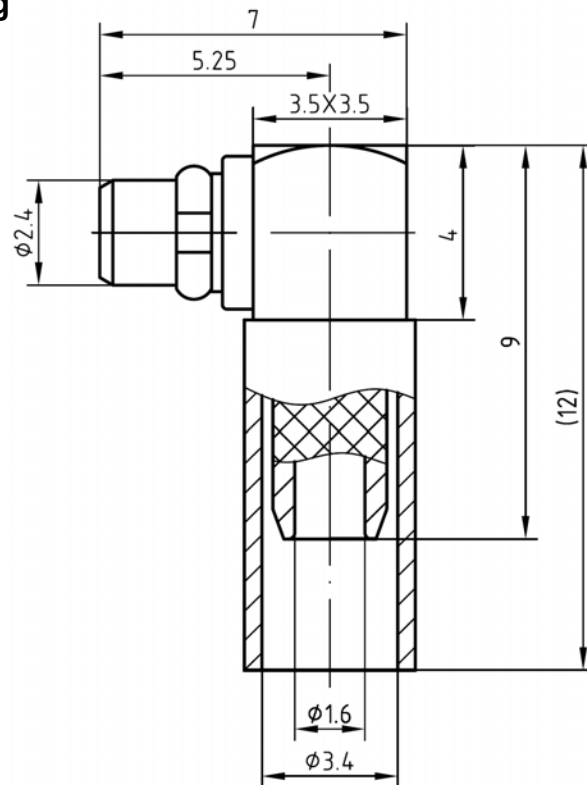
Material

Surface Plating

Center contact	Gold 0.5 over Nickel 2.0
Spring contacts	Gold 0.5 over Nickel 2.0
Body	Gold 0.2 over Nickel 2.0
Crimp ferrules	Gold 0.2 over Nickel 2.0

Coaxial Right Angle Connector: MMCX-JW2.5D

Outline drawing



Packaging

Standard

Other

200/Box=20 Bag

Contact us