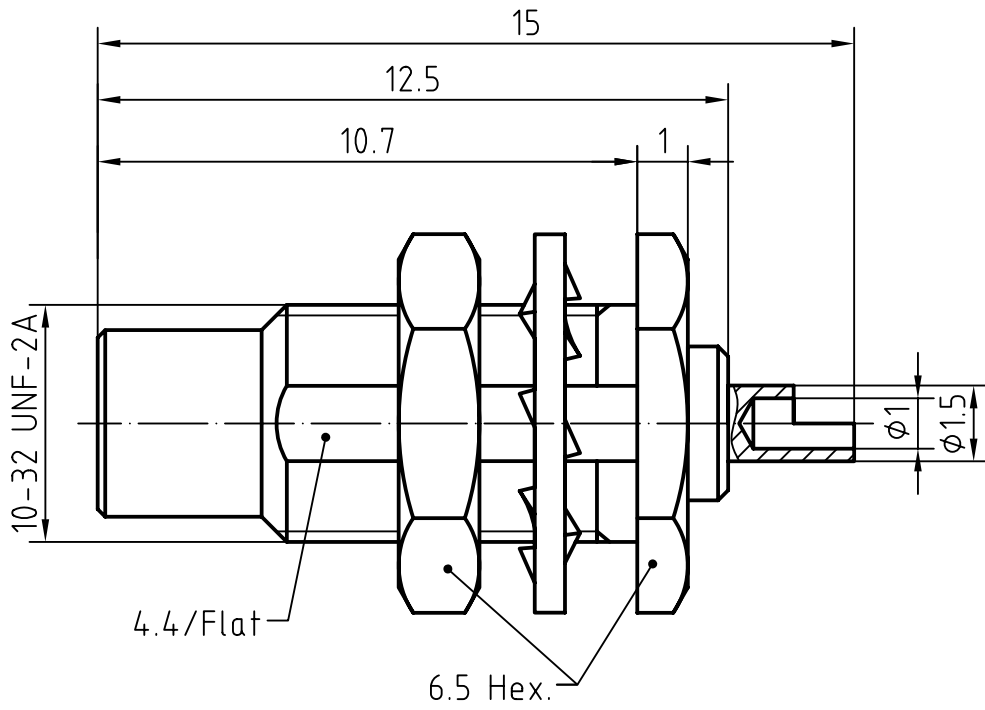
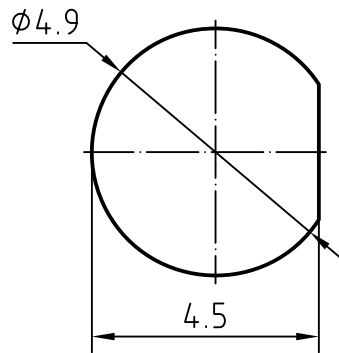


DRAWING



MOUNTING HOLE



| 5 | 1 | Nut | Brass/Gold plated | Gold 0.2um over Nickel 2um |
|---------|----------|--|-----------------------------|----------------------------|
| 4 | 1 | Lockwasher | Phosphor bronze/Gold plated | Gold 0.2um over Nickel 2um |
| 3 | 1 | Body | Brass/Gold plated | Gold 0.2um over Nickel 2um |
| 2 | 1 | Insulator | PTFE | |
| 1 | 1 | Centre contact | Brass/Gold plated | Gold 0.5um over Nickel 2um |
| Itemref | Quantity | Title/Name, designation, material, dimension etc | | Article No./Reference |

| | | | | | |
|----------------------------|--------------------------|---------------------------------|---|------------------|----------------|
| Designed by Mingang Han | Checked by Jinlong GU | Approved by - date Hongyu Du | File name SMC-JYB | Date 08.03.14 | Scale 7 : 1 |
| Amitron Electronics, Ltd. | | | SMC-JYB | | |
| | | | http://www.amel.ru | Edition 1.0 | Sheet 1/1 |

CHARACTERISTICS

DESCRIPTION: SMC Type male BH connector

Electrical data:

| | |
|-------------------------------|---|
| <i>Impedance:</i> | <i>50 ohm</i> |
| <i>Frequency range:</i> | <i>DC to 10 GHz</i> |
| <i>VSWR:</i> | $\leq 1.18 + 0.04Xf[\text{GHz}]$ |
| <i>Insertion loss:</i> | $\leq 0.18X\sqrt{f[\text{GHz}]} \text{ dB}$ |
| <i>Insulation resistance:</i> | $\geq 1000\text{M}\Omega$ |
| <i>Test voltage:</i> | <i>750 V rms</i> |
| <i>Working voltage:</i> | <i>250 V rms</i> |
| <i>Contact resistance:</i> | |
| 1). <i>Centre contact:</i> | <i>5.0 mΩ</i> |
| 2). <i>Outer conductor:</i> | <i>2.5 mΩ</i> |
| <i>RF-leakage:</i> | $\geq 90 \text{ dB up to } 1 \text{ GHz}$ |

Environmental data:

| | |
|----------------------------|----------------------------|
| <i>Temperature rating:</i> | <i>-65 ° C to +165 ° C</i> |
| <i>2002/95/EC (RoHS):</i> | <i>Compliant</i> |

Mechanical data:

| | |
|------------------------------------|---------------------------|
| <i>Mating cycles:</i> | ≥ 500 |
| <i>Center contact captivation:</i> | $\geq 150 \text{ N}$ |
| <i>Coupling test torque:</i> | $\leq 0.71 \text{ Nm}$ |
| <i>Recommended torque:</i> | <i>0.25 Nm to 0.35 Nm</i> |

Suitable cables:

N/A